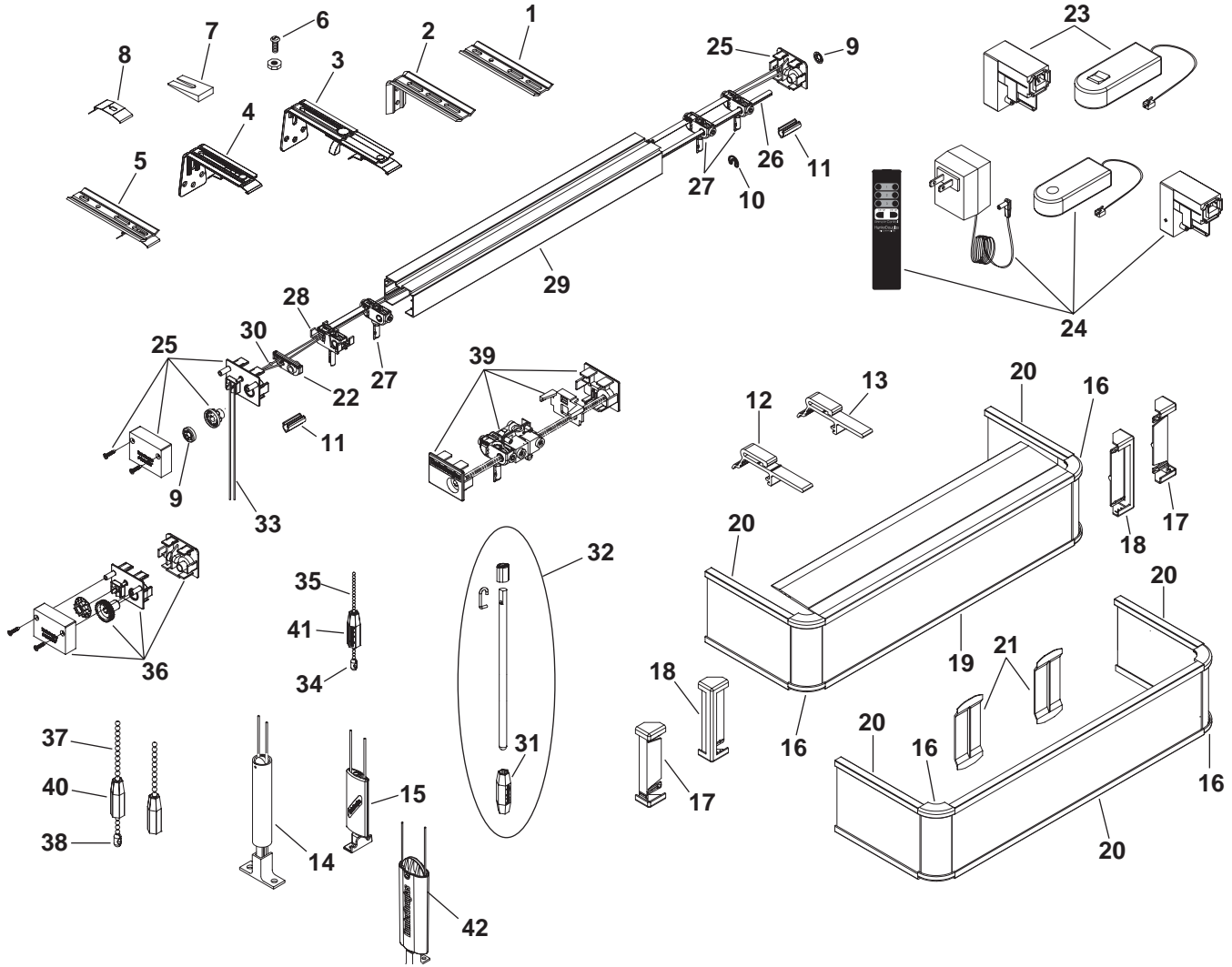


# PermAlign® Side Draw Assembly



## Standard Components

- |                                       |   |   |
|---------------------------------------|---|---|
| 1. 4" FLAT EXTENSION BRACKET w/o CLIP | 14. ROUND CORD TENSIONER                    | 28. LEAD CARRIER GUIDE                    |
| 2. 4" "L" BRACKET w/o CLIP            | 15. CORD TENSIONER                          | 29. CHANNEL                               |
| 3. ADJUSTABLE "L" BRACKET w/CLIP      | 16. VALANCE CORNER ROUND w/CAPS             | 30. ROD SUPPORT BEAD                      |
| 4. 3 1/2" "L" BRACKET w/CLIP          | 17. VALANCE CORNER OPEN                     | 31. PERMASSURE™ WAND HEX HANDLE           |
| 5. 4" FLAT EXTENSION BRACKET w/CLIP   | 18. VALANCE CORNER CLOSED                   | 32. PERMASSURE WAND ASSEMBLY              |
| 6. 8-32 X 1/2" PAN HEAD BOLT & NUT    | 19. MIXED VALANCE                           | 33. TRAVERSE CORD                         |
| 7. MOUNTING SHIM                      | 20. SHADOW VALANCE/RETURN                   | 34. #6 CHAIN CONNECTOR                    |
| 8. MOUNTING CLIP                      | 21. VALANCE STACKING CLIP                   | 35. #6 QUALIFIED TILT CHAIN               |
| 9. STAR FASTENER                      | 22. ROD SUPPORT CARRIERS                    | 36. #10 GEAR-REDUCED END CONTROL SET      |
| 10. STOP "C" CLIP                     | 23. MOTORIZED TILT SWITCH UNIT              | 37. #10 QUALIFIED TILT CHAIN              |
| 11. 1" OMEGA SPACER                   | 24. MOTORIZED TILT REMOTE CONTROL UNIT      | 38. #10 CHAIN CONNECTOR                   |
| 12. LONG VALANCE HANGER               | 25. #6 DIRECT DRIVE END CONTROL SET w/COVER | 39. WAND CONTROL ENDCAP SET w/ROD SUPPORT |
| 13. SHORT VALANCE HANGER              | 26. TILT ROD                                | 40. CHAIN TASSEL w/o LOGO                 |
|                                       | 27. REGULAR DRAW CARRIERS                   | 41. CHAIN TASSEL w/LOGO                   |
|                                       |   | 42. LOCKING CORD TENSIONER                |

# PermAlign® Side Draw Assembly

No.	P C N	Description	No.	P C N	Description
1.	HC0815	4" FLAT EXTENSION BRACKET w/o CLIP	26.	TILT ROD PC0456	TILT ROD (50 PCS. 16¢)
2.	MM40RS	4" "L" BRACKET w/o CLIP	98860		TILT ROD (96 PCS. 16¢)
3.	ADJUSTABLE "L" BRACKET w/CLIP		27.	REGULAR DRAW CARRIERS	
	7702853	PLATED	HS0501		1 3/4"
	7702855	IVORY	HS0502		2"
4.	3 1/2" "L" BRACKET w/CLIP		HS0522A		3 1/4"
	7702857	PLATED	HS0503A		3 1/2"
	7702859	IVORY	28.	7702801	LEAD CARRIER GUIDE (WHITE)
5.	HC0816	4" FLAT EXTENSION BRACKET w/CLIP	29.	CHANNEL	
6.	PC0470	8-32 x 1/2" PAN HEAD BOLT & NUT	97869		16¢ IVORY PAINTED
7.	96801	MOUNTING SHIM	PC0440		25¢ ANODIZED w/ROD
8.	97855	MOUNTING CLIP	30.	PC0458	ROD SUPPORT BEAD
9.	97845	STAR FASTENER	31.	PERMASSURE™ WAND HEX HANDLE IHDL0500	IVORY
10.	PC0475	STOP "C" CLIP	32.	PERMASSURE WAND ASSEMBLY	
11.	PC0453	1" OMEGA SPACER	7704800		38" IVORY
12.	98856	LONG VALANCE HANGER	7704801		48" IVORY
13.	98855	SHORT VALANCE HANGER	33.	PS0563B	TRAVERSE CORD (NATURAL)
14.	ROUND CORD TENSIONER		34.	PS0506	#6 CHAIN CONNECTOR (NPB)
	98832	IVORY	35.	PS0504	#6 QUALIFIED TILT CHAIN (NPB)
15.	CORD TENSIONER		36.	PD0684	#10 GEAR-REDUCED END CONTROL SET (GREY)
	97888	IVORY	37.	PS0574	#10 QUALIFIED TILT CHAIN (NPB)
16.	URC0000040	VALANCE CORNER ROUND w/CAPS	38.	PS0575	#10 CHAIN CONNECTOR (NPB)
17.	VACO0000002	VALANCE CORNER OPEN (CLEAR)	39.	IWCU0501	WAND CONTROL ENDCAP SET w/ROD SUPPORT (IVORY)
18.	VACC0000002	VALANCE CORNER CLOSED (CLEAR)	40.	CHAIN TASSEL w/o LOGO	
19.	MUV0193000	MIXED VALANCE (16¢)	97893		IVORY
19.	CUV0193040	VALANCE (16¢)	41.	CHAIN TASSEL w/LOGO	
20.	SMV0193000	SHADOW VALANCE/RETURN (16¢)	97836		IVORY
21.	HD0954	VALANCE STACKING CLIP	42.	LOCKING CORD TENSIONER	
22.	96811	ROD SUPPORT CARRIERS (WHITE)	7703830		IVORY
23.	MHD1000000	MOTORIZED TILT SWITCH UNIT			
24.	MHD2000000	MOTORIZED TILT REMOTE CONTROL UNIT			
25.	96816	#6 DIRECT DRIVE END CONTROL SET w/COVER (IVORY)			