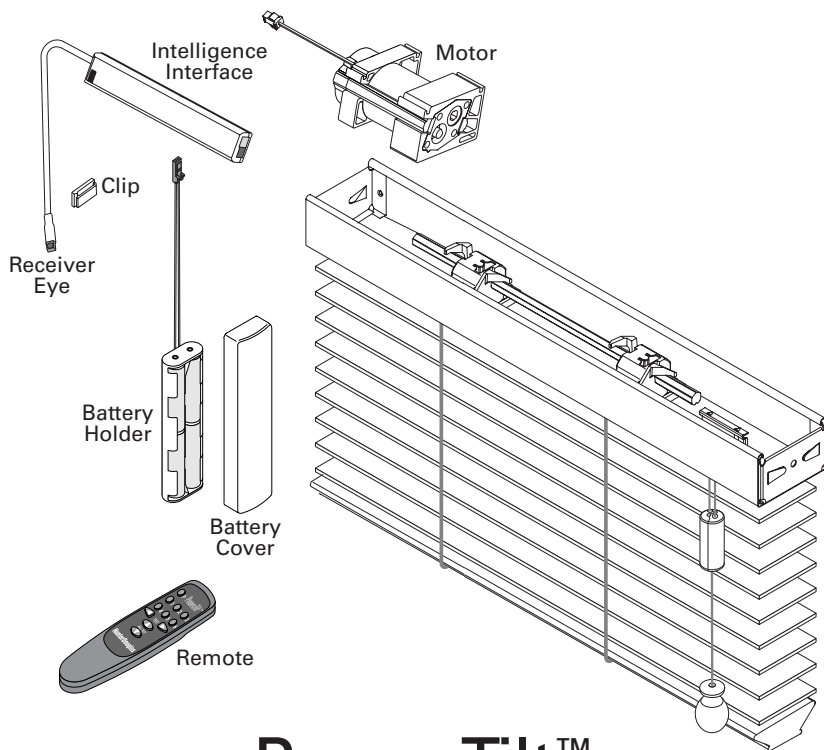


Owner's Guide

Wood Blinds
Alternative Wood Blinds
2" Aluminum Horizontal Blinds



PowerTilt™
Motorized Tilt System

HunterDouglas

CONTENTS

Installation Instructions	1
Getting Started	1
Mount the Installation Brackets	3
Activate the Motor and Mount the Intelligence Interface	7
Program the Blind	9
Mount the Battery Pack	11
Install the Blind	12
Complete the Installation	14
Operating Instructions	16
Child Safety	17
Care and Cleaning	18
Troubleshooting Procedures	19
Frequently Asked Questions	20
Optional Components	21

BEFORE YOU BEGIN

Thank you for purchasing a Hunter Douglas product. Your new blind(s) with the PowerTilt motorized tilt system has been custom built for you from the highest quality materials. **Before installing or operating your new blind(s), please review these instructions thoroughly to acquaint yourself with all of the procedures.**

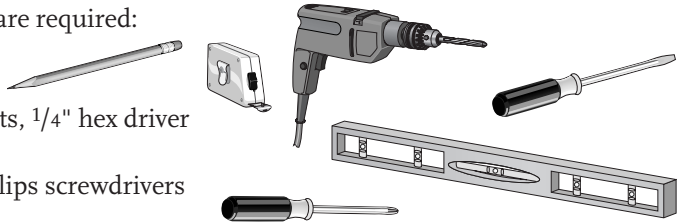
If any assistance is necessary, call the Hunter Douglas Customer Information Center Monday through Friday, 7:00 AM to 4:30 PM mountain time at:

1-888-501-8364

What You Will Need to Install Your Blind

The following items are required:

- Measuring tape
- Pencil
- Power drill, drill bits, 1/4" hex driver
- Carpenter's level
- Flat blade and Phillips screwdrivers
- Rubbing alcohol



You will also need appropriate fasteners for your specific mounting surface:

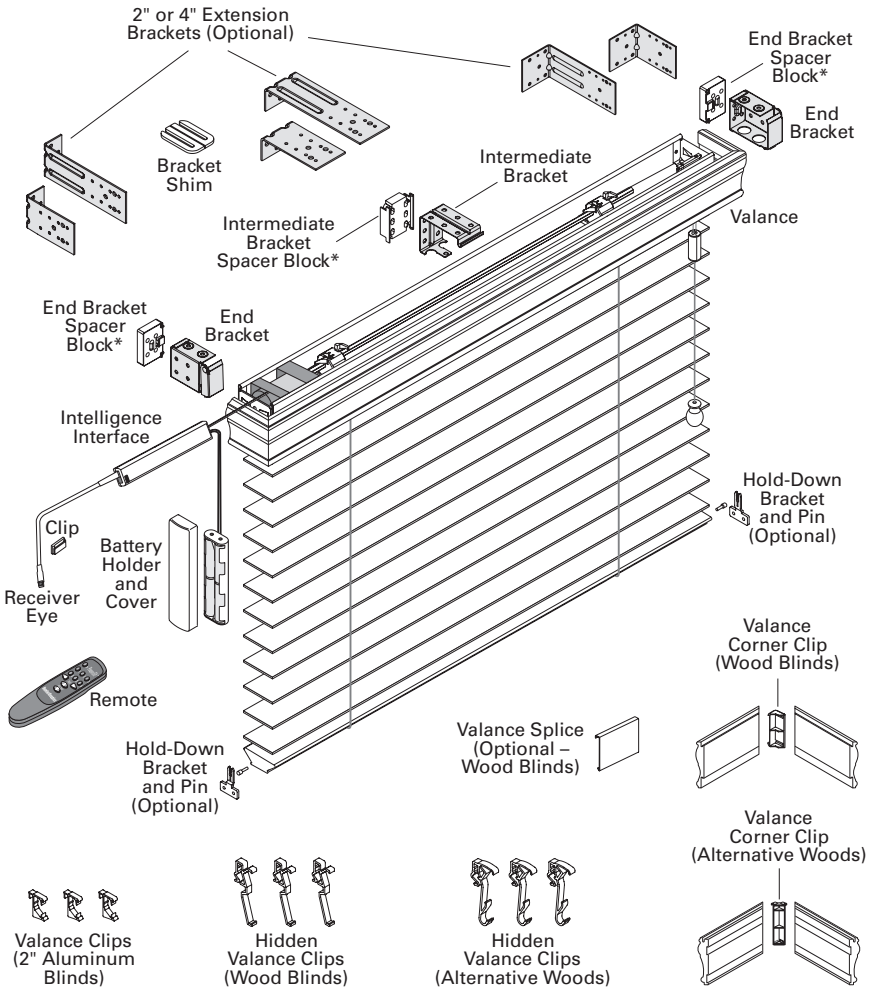
Mounting Surface	Type of Fastener
Drywall, Plaster	Wall Anchors, Expansion Bolts (Not Provided)
Metal	Sheet Metal Screws (Not Provided)
Wood	No. 6 Hex Head Screws (Provided)

INSTALLATION INSTRUCTIONS

GETTING STARTED

Check Contents of Your Order

- Remove the blind and PowerTilt™ components from the package. Keep the packaging until the blind operates to your satisfaction.
- Check the diagram below to make sure you have all the necessary parts.
- Installation hardware will vary depending upon the type of blind, its width, and the mounting options chosen.



*Required for 2 1/2" and 2 5/8" slat sizes; optional for 2" slat sizes.

General Guidelines

The sequence of steps in the installation process varies depending upon whether you prefer to mount the PowerTilt™ Intelligence Interface and battery pack inside or outside the headrail. **Read through this booklet before you begin and refer to the flow charts below for guidance.**

Other general guidelines specifically related to the PowerTilt system include:

Battery Requirements (included with order)

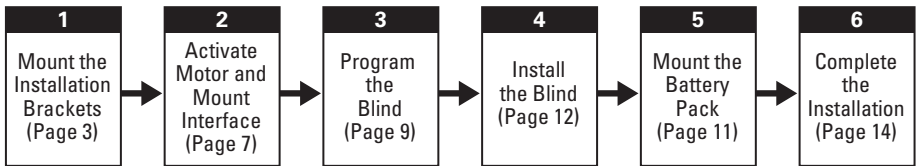
- Four AA batteries (alkaline or lithium) for each blind.
- Two AAA batteries (alkaline or lithium) for the remote.

Important Notes

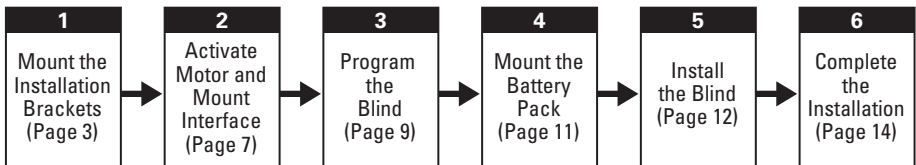
- Wherever double-sided tape is used, first clean the area with rubbing alcohol before affixing the tape.
- Do not expose the Intelligence Interface to temperatures higher than 158° F.
- Do not install the receiver eye where exposed to **direct** sunlight or fluorescent lighting.
- Do not install in wet environments. The system will work in up to 95% relative humidity.
- When raising the blind, the slats must be in the open position.

Installation Flow Charts

Intelligence Interface Mounted *Inside* Headrail; Battery Pack Mounted *Outside* Headrail



Intelligence Interface and Battery Pack Mounted *Inside* Headrail



Note: If using extension cables, you will need to mount both the battery pack and Intelligence Interface *outside* the headrail. Follow the instructions outlined in this guide.

MOUNT THE INSTALLATION BRACKETS

Mounting Options

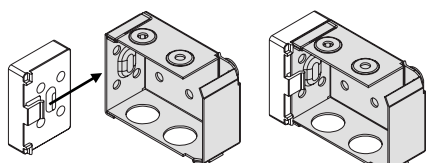
The installation brackets may be *inside mounted*, *outside mounted* or *ceiling mounted*. In all cases, level mounting is essential.

- With inside mounts and ceiling mounts, use a carpenter's level to check that the mounting surface is level. Shim the brackets, if necessary.
- With outside mounts, the tops of the brackets must be level and aligned at the same height.

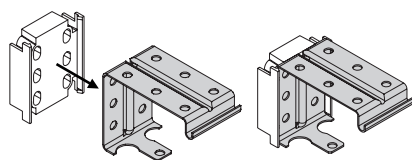
Spacer Blocks (2¹/₂" and 2⁵/₈" Slat Sizes Only)

Note: Spacer blocks are optional for 2" slat sizes.

- Attach a spacer block to each of the two end brackets.
- If one or more intermediate brackets is required (see chart below), attach a spacer block to each intermediate bracket.
- If extension brackets will be used, do *not* attach spacer blocks.



Attachment to End Bracket



Attachment to Intermediate Bracket

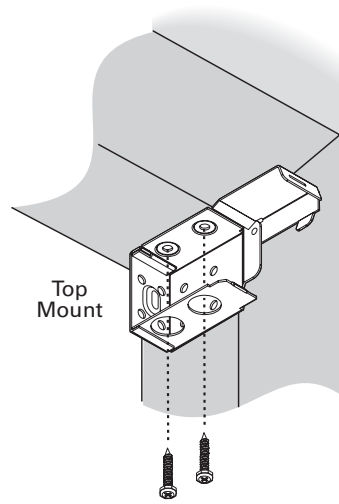
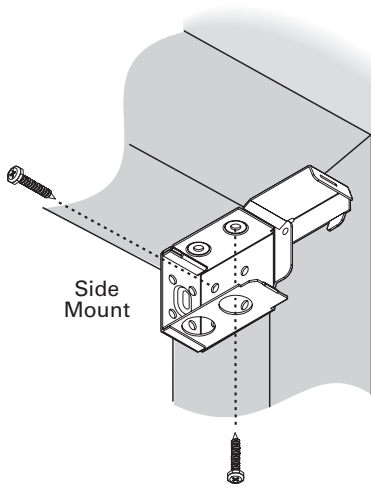
Intermediate Brackets Required

Blind Width	Intermediate Brackets
18 ⁵ / ₈ " – 48"	0
48 ¹ / ₈ " – 60"	1
60 ¹ / ₈ " – 96"	2

Inside Mount Applications

Attach the two end brackets flush against the sides of the window casement. Refer to the illustrations on the following page.

- Side mount the brackets with one screw through a side hole and one screw through a top hole.
- Top mount the brackets with screws through the two top holes.
- Use the rear top and side holes if limited mounting depth is available.

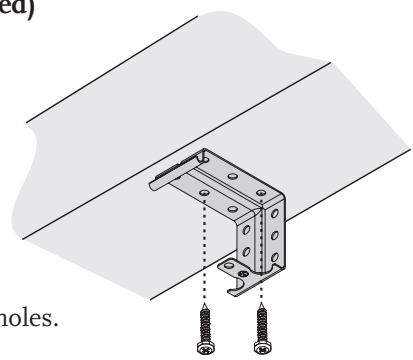


Note: For blinds with 2¹/₂" or 2⁵/₈" slats, spacer blocks are used with inside mounts to position the brackets a minimum of 3³/₈" from the glass. This prevents slats from rubbing the glass when tilting or when the blind is raised and lowered.

Attach Intermediate Brackets (If Required)

Evenly space the intermediate bracket(s) between the two end brackets.

- Adjust spacing if needed to avoid interference with internal headrail mechanisms.
- Align the rear of the intermediate brackets with the rear of the end brackets.
- Attach with two screws through diagonal holes.



Ceiling Mount Applications

With ceiling mount applications, the end brackets are top mounted with screws through the two top holes. Be sure to use wall anchors unless screwing into wood or metal.

- Position the outside edges of the two end brackets a distance apart equal to the headrail width plus 1¹/₂".
- Space intermediate brackets evenly between the two end brackets.
- You may need to add a bracket shim at each bracket to allow clearance for the valance clips.

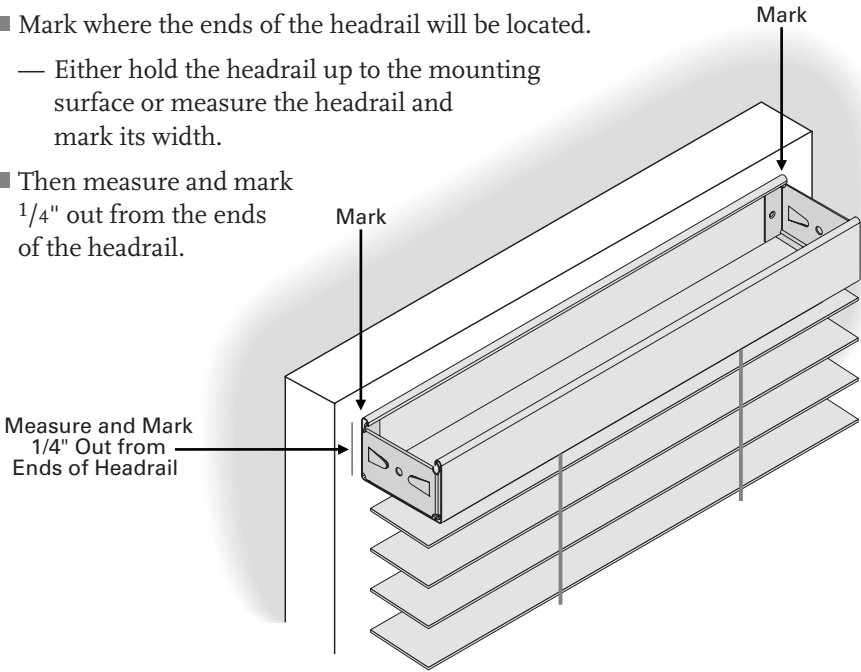
Note: Be sure to allow sufficient rear clearance so that the open slats will not contact window molding when the blind is raised and lowered.

Outside Mount Applications

A flat vertical surface at least 1³/₄" high is required for bracket attachment.

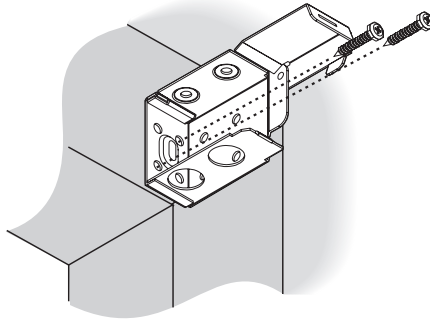
Mark End Bracket Locations

- Mark where the ends of the headrail will be located.
 - Either hold the headrail up to the mounting surface or measure the headrail and mark its width.
- Then measure and mark 1/4" out from the ends of the headrail.



Attach End Brackets

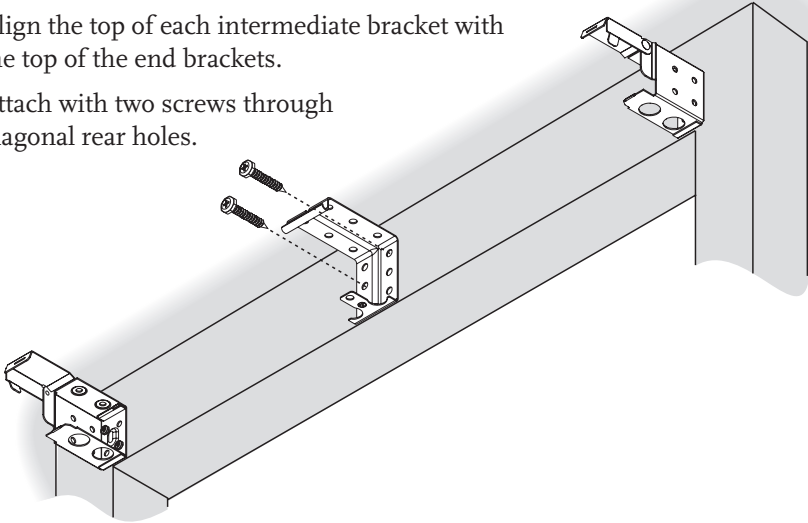
- Align the outside edge of each bracket with the outer marks.
- The tops of the brackets must be aligned at the same height.
- Attach the brackets with two screws through diagonal rear holes.



Attach Intermediate Brackets (If Required)

Evenly space the intermediate bracket(s) between the two end brackets.

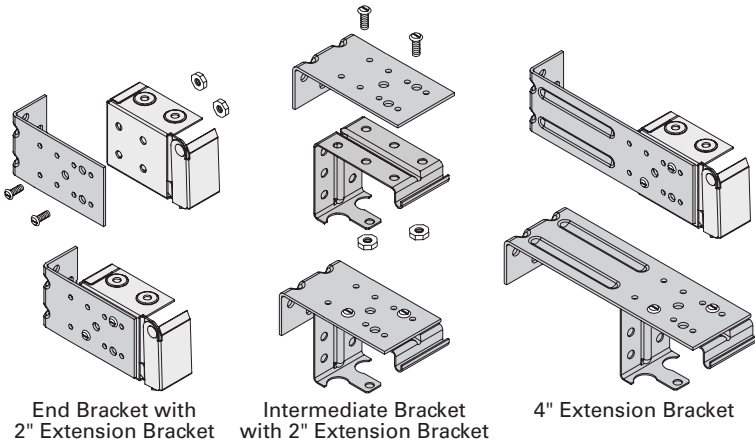
- Adjust spacing if needed to avoid interference with internal headrail mechanisms.
- Align the top of each intermediate bracket with the top of the end brackets.
- Attach with two screws through diagonal rear holes.



Extension Brackets (Optional)

Attach 2" or 4" extension brackets to the mounting surface in the same locations where the end brackets and intermediate brackets would be attached.

- Use two screws to mount each extension bracket. Align them so that the installation brackets will be level at the same height.
- Attach the installation brackets to the extension brackets using the screws and nuts provided, as shown below.



End Bracket with
2" Extension Bracket

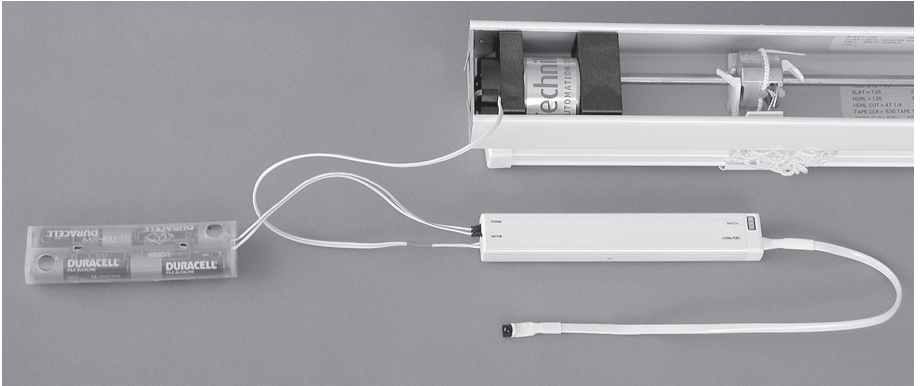
Intermediate Bracket
with 2" Extension Bracket

4" Extension Bracket

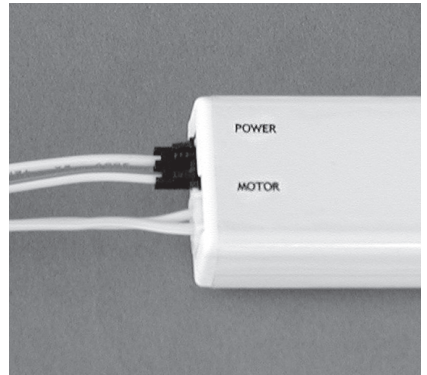
ACTIVATE THE MOTOR AND MOUNT THE INTELLIGENCE INTERFACE

Activate the Motor

- The motor should already be connected to the Intelligence Interface. If it is not, insert its connector into the port on the interface labeled “motor.”
- Connect the battery pack to the Intelligence Interface. Insert its connector into the port labeled “power.” (Be sure the batteries are inside the pack.)



The motor connects to the “motor” port and the battery pack connects to the “power” port.



Mount the Intelligence Interface

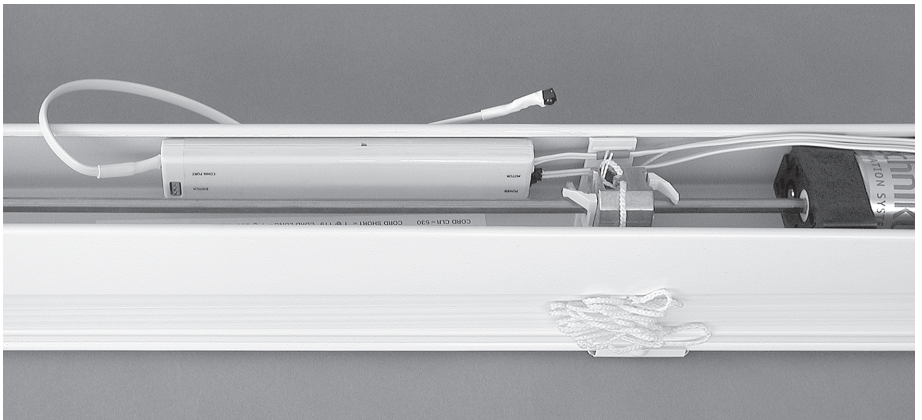
Note: Do *not* mount the Intelligence Interface inside the headrail if the blind will be inside-mounted in a south-facing window where the temperature may exceed 158° F.

The Intelligence Interface may be mounted in a variety of locations. A popular location is inside the headrail, positioned so that it does not contact any moving parts. Other possible mounting locations include behind the valance, on the wall or molding, and behind a top or side treatment. To mount the interface:

- Peel the backing from the double-sided tape on the rear.
- Press the interface firmly in position on the cleaned mounting surface.
- Store any excess wire out of sight. **Important:** The receiver eye must remain outside the headrail at all times.
- If more than 14" of wire is required to position the Intelligence Interface in the desired position, wire extensions of 19" and 59" are available.
- If using extension cables, mount the blind first before mounting the Intelligence Interface.



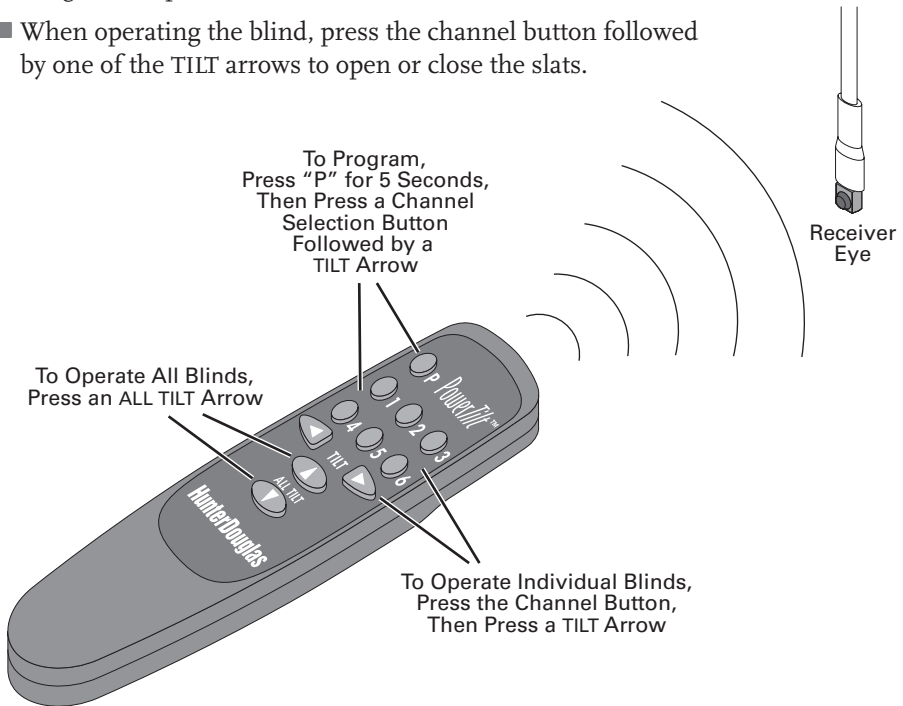
Peel the backing from the double-sided tape and affix the Intelligence Interface to the cleaned mounting surface.



PROGRAM THE BLIND

Program Each Blind Individually

- If more than one system is ready for programming, the strong signal from the remote may program each of the systems to the same channel. In order to avoid unintentionally programming other blinds, isolate the blind during initial programming or hold the remote control in close proximity to the receiver eye. Plan and program accordingly.
- Point the remote at the receiver eye and press the “P” button for five seconds. Then press one of the six channel selection buttons followed by one of the TILT arrows. The first channel button you press is the channel number you have assigned to operate the blind.
- When operating the blind, press the channel button followed by one of the TILT arrows to open or close the slats.



- Once you have assigned the channel, the blind is automatically programmed to operate from that channel only and will not respond to other channels — except for the ALL TILT buttons.
- Several blinds can be programmed to operate from the same channel — for example, all blinds on one side of a room.
- After programming the channel, test motor operation by pressing that channel and a TILT button. If the blind has not yet been installed in the window, press the button only briefly to hear the motor working.

- You may find your blinds have already been programmed to channel 1. This was done at the factory for quality inspection. You can easily program to any channel following the procedure just explained.

Reprogramming Your Blinds

- To change the programmed channel, point the remote at the receiver's eye and press the "P" button for five seconds. Then press the new channel you wish to assign to the blind, followed by either of the TILT buttons.
 - The first channel button you press is the channel you have reassigned to operate the blind.
 - To operate the blind, press the channel button again, followed by either of the TILT buttons.
 - The system does not require reprogramming when the batteries are replaced.
-

Note: The infrared signal from the remote is very strong and has a range of 50 feet and a reach of 180°. If two or three blinds programmed to the same channel are near each other, they will operate together when one of that channel's buttons is pressed. For individual operation of nearby blinds, they must be assigned different channels.

MOUNT THE BATTERY PACK



If mounting the battery pack outside the headrail, install the blind first (see page 12) then return to this section.

Like the Intelligence Interface, the battery pack may be mounted in a variety of locations. Once again, inside the headrail is a popular choice — but for easy access to change batteries, you may want to mount it outside the headrail. Possible locations include under the sill, behind a top or side treatment, on the wall concealed behind furnishings, or behind the valance.

- The battery pack can be mounted with the double-sided tape provided.
Note: If placing inside the headrail, use of the tape is optional.
- If mounting outside the headrail, the white cover may be installed over the clear plastic battery holder, if desired. Excess wire may be stored in the compartment inside the cover, as shown below.

Note: If the battery pack is mounted inside the headrail, the blind must be removed from the window to replace the batteries.

Installation Tip: You may extend the reach of the battery pack with extension cables. Two extension lengths are available — 19" and 59". They can be used in any combination up to 98" in length, but must be used between the motor and receiver. See your Hunter Douglas dealer for details.

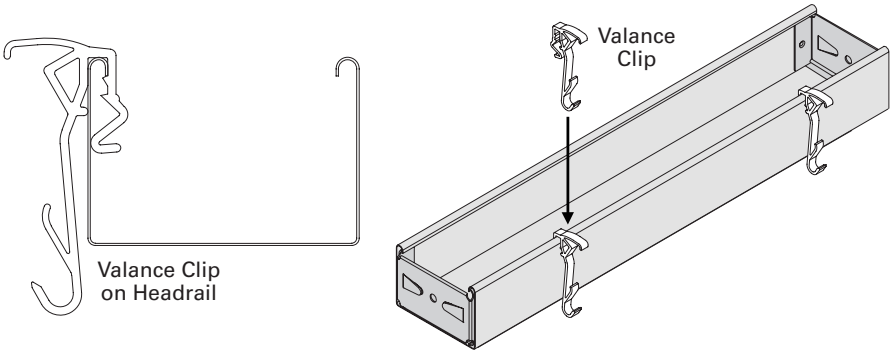


INSTALL THE BLIND

Valance Clips

The valance clips you received may vary in appearance from those illustrated.

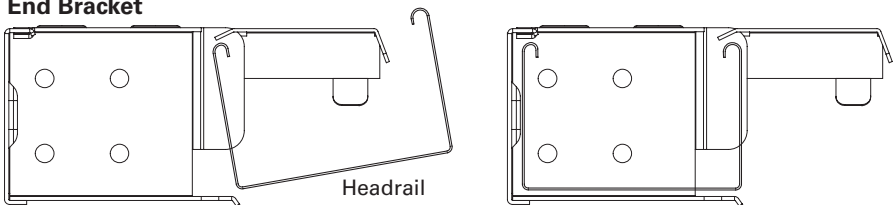
- Attach valance clips to the headrail, as shown.
- Evenly space the valance clips along the length of the headrail.



Mount the Headrail

- Tilt the headrail so that its back lip slides under the front lip of the end brackets and intermediate bracket(s).
- Push the headrail against the back of the end brackets.
- Check that the front lip of the intermediate bracket(s) is under the front lip of the headrail.

End Bracket

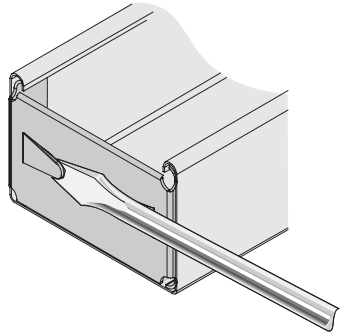


Intermediate Bracket



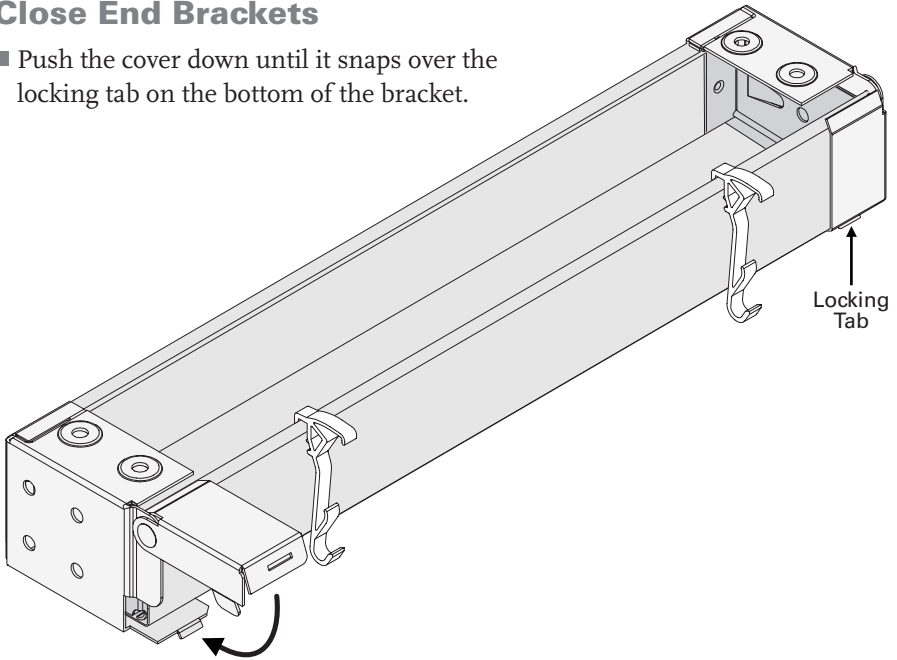
Adjust Headrail Tightness, If Necessary

- If the headrail is loose in the end brackets, bend the tabs on the end plates outward.
- The tabs may also be bent inward if the headrail was difficult to install in the end brackets.



Close End Brackets

- Push the cover down until it snaps over the locking tab on the bottom of the bracket.



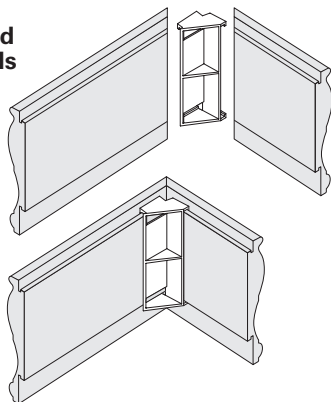
COMPLETE THE INSTALLATION

Attach the Valance Returns, If Provided

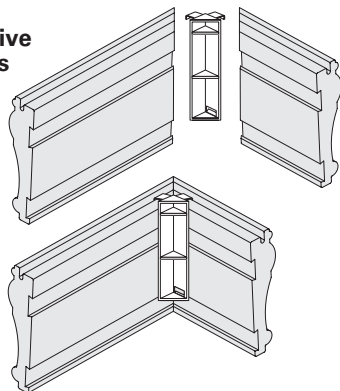
Valance returns are used with outside mounts and with some inside mounts. Use the supplied corner clips to attach the valance returns.

- With wood blinds, slide the wider side of each clip onto the rear of the valance so that the narrower side aligns with the edge of the miter cut at each end. Then slide a return onto each corner clip until its miter is flush against the miter on the valance.
- With alternative wood blinds, the tabs on the corner clips fit into the notches on the valance. Slide the valance and returns onto the clips.
- The valance returns may also be shipped pre-attached.

Wood Blinds



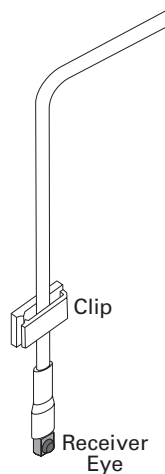
Alternative Woods



Mount the Receiver Eye

Position the receiver eye where it will be visible to the remote control signal, but not where it will be exposed to direct sunlight or lamp light.

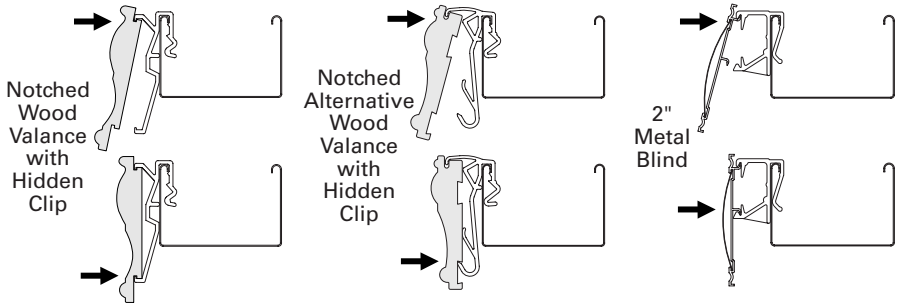
- Use the clip provided to hold the receiver eye cable.
- Attach the clip with double-sided tape, pressing it firmly in place.
- Then attach the cable and position the receiver eye as desired. It can be mounted anywhere on or around the headrail.
- A common placement is on the headrail itself — under the valance, but with the receiver eye portion remaining visible and with the rounded portion facing the room.



Attach the Valance

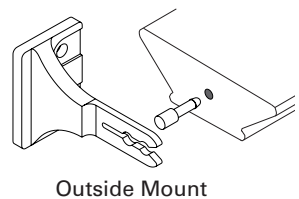
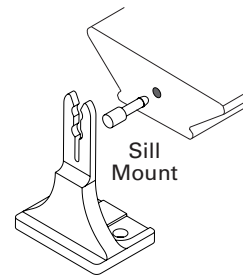
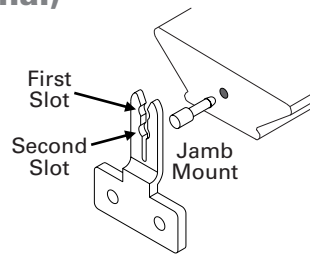
The design of valances and valance clips may vary with the type of blind, but the basic installation principles are the same:

- Tilt the valance to insert it into the upper part of the valance clip.
- Then snap the lower part of the valance into the clip.



Attach Hold-Down Brackets (Optional)

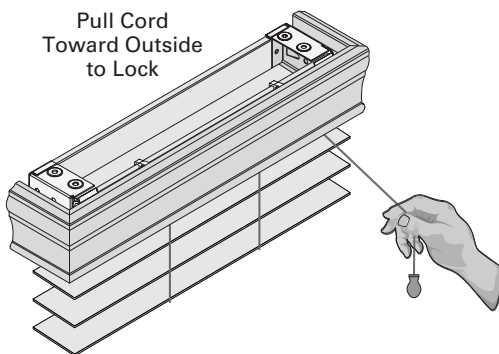
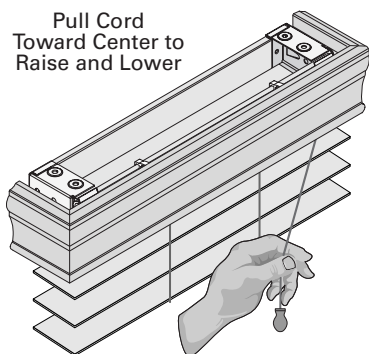
- Drill a $\frac{1}{8}$ " hole centered in the ends of the bottom rail for wood and alternative wood blinds. For aluminum blinds, push out the perforated pin plug from each bottom rail end cap using a ballpoint pen or similar pointed object.
- Insert a hold-down pin into each hole. Push the head of the pin against a flat surface to fully seat it, or tap the pin in place with a hammer.
- To mount the hold-down brackets, first fully lower the blind. Align the first or second slot on the brackets with the pin heads in the bottom rail.
 - Align the first slot with $2\frac{1}{2}$ " and $2\frac{5}{8}$ " slat sizes.
 - Align the second slot with 2" slat sizes.
- Maintain the correct slot alignment as you attach the hold-down brackets to the jamb, sill or outside mounting surface.
- Slide the hold-down pins into the second slot with 2" slat sizes. Slide the hold-down pins into the first slot with $2\frac{1}{2}$ " and $2\frac{5}{8}$ " slat sizes.
- With 2" slat sizes, the first slot may be used instead of a spacer block.



OPERATING INSTRUCTIONS

Raising and Lowering the Blind

- Pull the lift cord down and toward the center to raise and lower. The slats should be open when raising and lowering.
- Pull the cord to the outside to lock the blind in position.



Tilting the Slats

Overview of Remote

Using the remote transmitter, you can:

- Operate up to six blinds individually, one per channel.
- Operate an unlimited number of blinds by grouping them into channels. With six channels, you can operate up to six groups of one or more blinds.
- Operate all blinds simultaneously using the ALL TILT buttons.
- Reprogram the channel assigned to a particular blind.

Operation

- Press a channel button followed by either TILT button. The tilting movement of the slats will stop when the button is released or when the slats can tilt no further.
- Press the ALL TILT buttons to operate all blinds. These buttons require no programming.



Note: Receiver eye must be within the line of sight of the remote to receive its signal and operate the blind.

CHILD SAFETY



⚠ WARNING: Young children can become entangled and strangle in cords. Keep all cords out of the reach of children. Hunter Douglas provides cord cleats and we recommend their use.

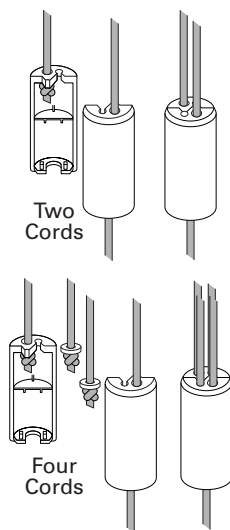
Cord Stop

The cord stop is used on the lift cord of all wood and alternative wood blinds.

- This component breaks apart with minimal pressure should a child or pet become entangled in the top lift cords.
- It also acts as a stopper to prevent inner cords from being pulled through the blind, which can also create potential entanglement.

Reassembly of Cord Stop

- Reinsert any loose cords into the top notches of the cord stop. There is a notch on each side.
- Line up the right and left sides of the cord stop and snap the pieces back together.



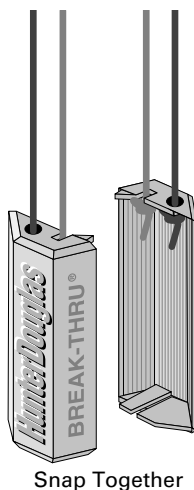
Break-Thru® Safety Tassel

The Break-Thru tassel is used on the lift cord of 2" horizontal blinds (metal).

- This component acts is designed to break apart should a child or pet become entangled in the lift cords.

Reassembly of Tassel

- Reinsert any loose cords into the top notches of the tassel. There is a notch on each side.
- Line up the right and left sides of the tassel and snap the pieces back together.



CARE AND CLEANING

- Dust with a soft clean cloth.
 - Tilt the slats up and dust.
 - Then tilt the slats down (but not all the way closed) and dust the other side of the slats.
- Vacuum using the brush dust head attachment and tilt the slats up and down as described for dusting.

Wood Blinds Only

- Another way to clean wood blinds is simply by wiping them with a soft, damp cloth.
- Stained blinds, like wood furniture, should be treated periodically with lemon oil or other wood preservative to protect their finish and enhance their luster.

Alternative Woods and Metal Blinds Only

- Wash the slats using a damp cloth and mild non-abrasive detergent solution. Allow to air dry to preserve the dust repellent properties of the slats.

Metal Blinds Only

- Wash slats using a damp cloth and mild non-abrasive detergent solution.

A NOTE ABOUT WOOD PRODUCTS

Hunter Douglas wood blinds are true wood products, made from 100% hardwood. There will be variations in color, grain, texture, and warpage that are characteristics of all wood. These variations will be especially visible in blinds with light color stains. The variations are normal and natural, and are considered acceptable quality.

TROUBLESHOOTING PROCEDURES

Motor Does Not Operate

- Check wire connections between motor and Intelligence Interface, and between the interface and battery pack.
- Check that connections have been plugged into the correct ports — battery into the “power” port and motor into the “motor” port.
- Check that all wire connections are secure.
- Check that the receiver eye is not in direct sunlight or fluorescent lighting.
- Check that the rounded face of the receiver eye is unobstructed and facing the room.
- Check whether blind is programmed to respond to the channel you press.
— Press the ALL TILT buttons to see if blind responds.
- Check that the batteries are installed in the proper orientation in both the battery pack and remote.
- If necessary, replace the batteries.

Motor Operates But Slats Do Not Tilt

- Check that no obstructions inside the headrail keep the mechanism from tilting.
- Check that the tiltrod is completely snapped into the motor.

Remote Is Lost

- Contact your dealer for a replacement remote.

FREQUENTLY ASKED QUESTIONS

How do I reprogram the blind to a different channel?

- Review the directions on page 10 of this booklet.

The slats on my side-by-side blinds tilt in different directions. What can I do?

- Install a polarity change cable between the motor and Intelligence Interface on one of the two blinds. It will reverse the polarity so that the slats in both blinds tilt in the same direction. Contact your dealer for ordering information.

My blind only operates when the ALL TILT buttons are pressed. What can I do?

- When programming the blind, one of the ALL TILT buttons was inadvertently pressed. Review the reprogramming instructions on page 10 of this booklet to reprogram the blind to one of the six individual channels.

I want to extend my battery pack so that it is easier to change batteries. What can I do?

- Two extension cables are available in lengths of 19" and 59". They can be used in any combination for a total length up to 98". Contact your dealer for details.
- The extension cables must be located between the Intelligence Interface and the motor to minimize voltage drop. Use of one or more extension cables will also extend the Intelligence Interface by the length of the cable(s) used.

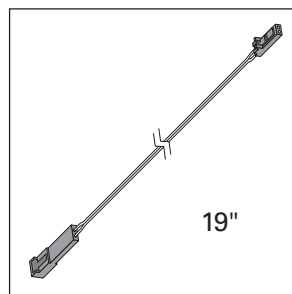
Do I need to reprogram my blinds after changing the batteries?

- No. You do not have to reprogram the blinds once you've changed the batteries.

OPTIONAL COMPONENTS

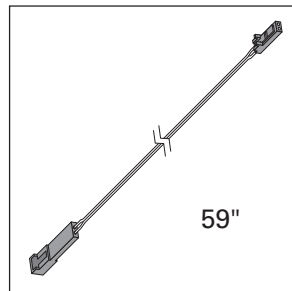
Extension Cable* 19"

Connects between the motor and Intelligence Interface; extends the Intelligence Interface and battery pack by 19".



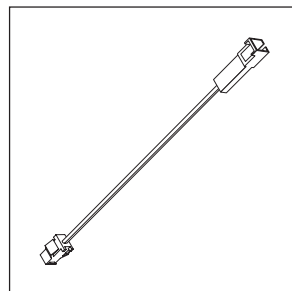
Extension Cable* 59"

Connects between the motor and Intelligence Interface; extends the Intelligence Interface and battery pack by 59".



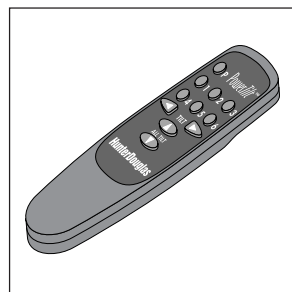
Polarity Change Cable

Opposite end motors of multiple blinds on one headrail result in slats tilting in opposite directions. This cable reverses the tilt direction of the motor to which it is applied so that the slats of all blinds can tilt in the same direction.



Remote

Available as a replacement should the remote be lost.



* Extension cables can be used in any combination for a total length up to 98".

Questions? Call the
Hunter Douglas
Customer Information Center at
1-888-501-8364

7:00 AM to 4:30 PM MST, Mon.-Fri.
Visit our Web site at hunterdouglas.com



HunterDouglas

hunterdouglas.com

© 2005 Hunter Douglas Inc. ® Registered trademark of Hunter Douglas Inc. ™ Trademark of Hunter Douglas Inc.
Patented in the U.S. and foreign countries. U.S. and foreign patents pending.
Break-Thru® is a registered trademark of Break-Thru Corporation.



PCN 5130540000

5M 5/05-A