

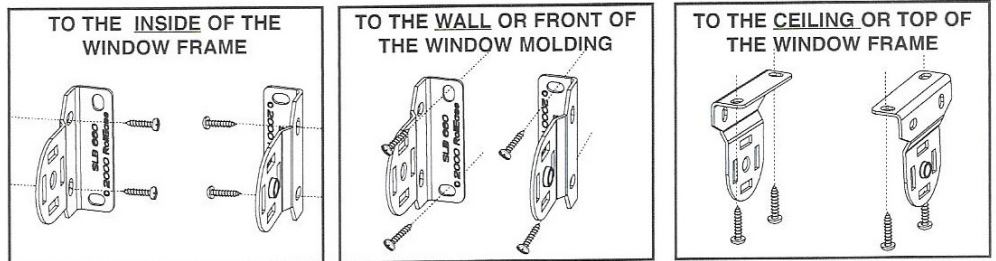
Exterior Sheerweave Solar Shade Installation Instructions

1. Mount The Brackets

Attach the brackets to the window frame, window molding, wall or ceiling as shown.

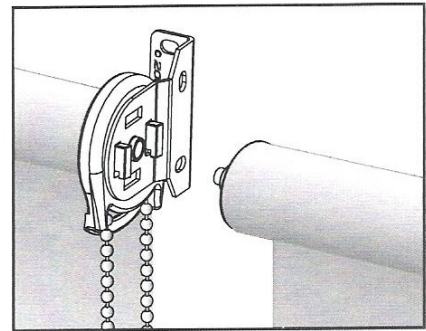
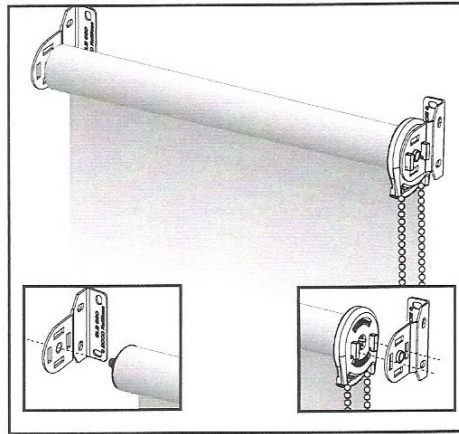
Brackets are universal so clutch may be mounted on either side.

Note: If sharing a standard bracket between two shades, brackets can only be shared by a clutch and a pin end, not clutch-to-clutch or pin end-to-pin end. If sharing an intermediate bracket it can only be shared by two pin ends.



2. Install The Shade

- Put the spring loaded pin end into the round hole of the bracket.
- Keeping the pin end secured in its bracket, insert the hooks on the clutch straight into the two slots in the bracket. Once the two hooks are through the slots, gently pull down on the clutch until the two hooks have locked securely to the bracket. The bottom of the clutch should point straight down.



Note: If sharing a bracket between two shades, bracket can only be shared by a clutch and a pin end, not a clutch-to-clutch or pin end to pin end.

3. Install The Tension Device

Inside Mount: The tension device mounts to the side of the window frames.
Outside Mount: The tension device mounts to the frame or wall.

(Note: Do not apply too much tension to the chain)

4. Use The Control Cord Or Bead Chain To Operate The Shade

Pulling gently on the cord in one direction raises the shade, pulling it in the other direction lowers it.

5. Attach Stops To A Control Cord That's Made Of Bead Chain

On metal bead, attach a metal stop ball that is at least 5/16" (8mm) in diameter, so that it touches the clutch when the shade is in the fully raised position.

For metal or plastic bead chain, lower the shade to its fully lowered position, and attach the appropriate metal stop or plastic connector next to that it touches the clutch, this prevents the shade from being lowered beyond that point.