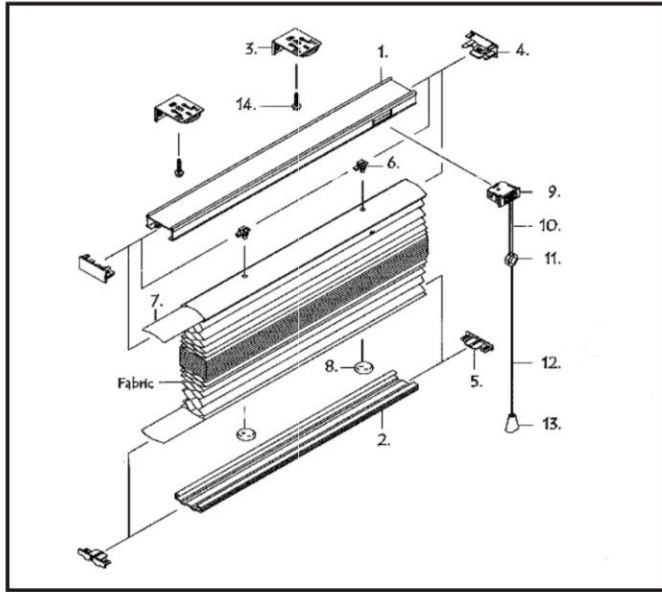


INSTALLATION INSTRUCTIONS ;

Please note that, the lift mechanism should not be operated prior the shade's installation.
Shades are shipped with the required number of brackets and hardware for proper installation.



Your shade should be composed of all the following pieces :

- | | |
|------------------------|--------------------------------|
| 1- Head rail | 8- Plastic washer |
| 2- Bottom rail | 9- Cord lock |
| 3- Mounting bracket | 10- Cord |
| 4- Rail end cap | 11- Child safety device |
| 5- Bottom rail end cap | 12- Pulling cord |
| 6- Cord guide | 13- Tassel |
| 7- Rail insert in coil | 14- Screw for mounting bracket |

Width/Inch	Bracket Quantity
0 - 38"	2
38 - 59"	3
59">	4

Step 1 : Mount the brackets

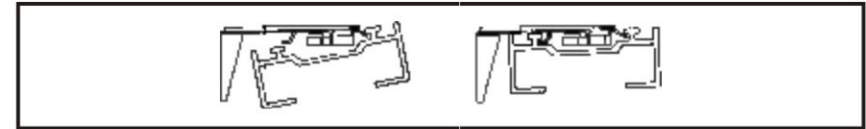
- A - Notice the label on the shade.
- B - Depending on the mounting (wall/ceiling or inside/outside the window frame), mark with a pen the extremities of your shade.
- C - Screw in the brackets in the correct angle.

IMPORTANT : Make sure the brackets are all in line and level.
Each bracket can be used for wall and ceiling mounting.

Step 2 : Install the shade

- A - Hold the shade up near the brackets and insert the front dip of the bracket into the front groove of the rail.
- B - Make sure the shade is centered in the window opening.
- C - Push the railback and up until the back of clips of the bracket are inserted in the back groove of the rail.

To remove the shade, reverse procedure



Child Safety Device: This device prevents the hazard of strangulation and entanglement of young children by detaching the cord once the children tangles inside the loop. You can always attach and detach the device to provide security for infants.



Cordlock Operation

To raise or lock shade, pull the cord down and outward of the shade. To lower or release the shade, pull cord downward in the vertical position to release the lock.

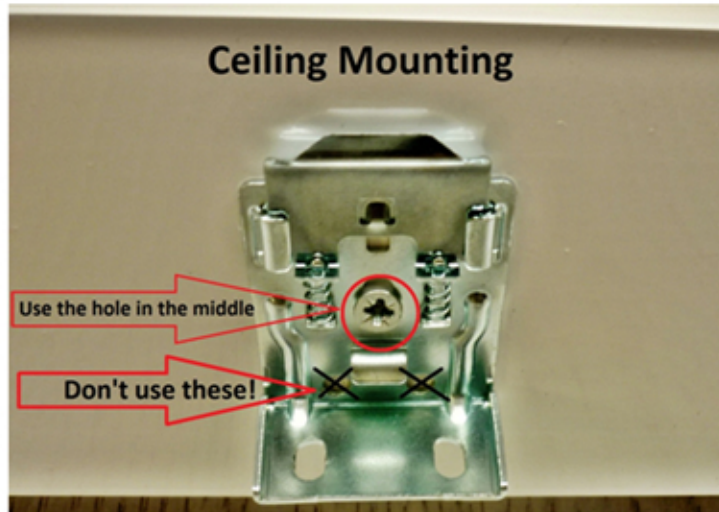
Cleaning and Care

The shade fabric is easy to care for.
Regular dusting with a feather duster or vacuum cleaner brush is recommended.
You can use a damp sponge and a mild detergent for the stains.

Please note: Due to compression in shipping, the shade may initially hang slightly shorter than the height ordered. Simply stretch the shade and run your hands over the fabric, massaging it gently from top to bottom; the shade will soon stretch to desired length.

Mounting Brackets User Guide

Ceiling Mounting: Please make sure you fixate the longer side of the bracket on the ceiling when you want to use to mount your shade to the ceiling.
You must use the hole in the **middle** with one screw for fixation.
Please don't use the two holes at the bottom.



Wall Mounting: Please make sure you fixate the shorter side of the bracket on the wall when you want to use to mount your shade to the wall.
You must use two holes at the bottom with two screws for fixation.

