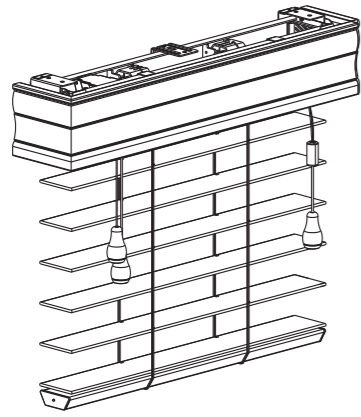


# Installation & Maintenance Instructions



## Getting Started

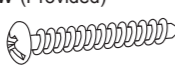
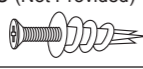
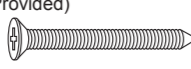
Remove the blind from the package. Be sure to keep the packaging until the blind operates to your satisfaction. Please take a moment to review the following installation guide for proper installation.

### Recommended Tools

- MeasuringTape
- Pencil
- Level
- Screwdriver
- Powerdrill (1/4" hex driver and drillbit)

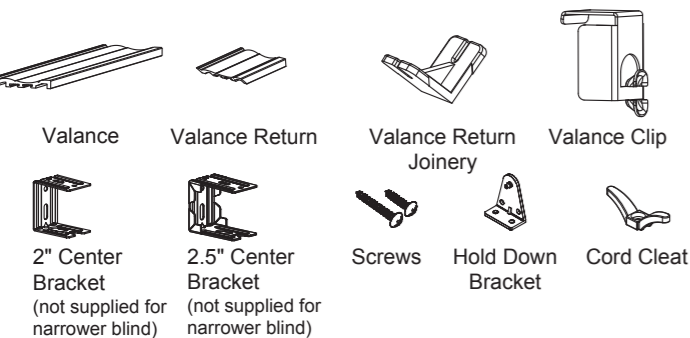
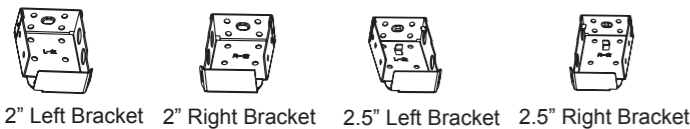


You will need to use the following fasteners for your particular mountingsurfaces:

Mounting Surface	Fastener
Wood	1 1/4" Rounded Head Screw (Provided) 
Drywall / Plaster	Wall Anchors, Expansion Bolts (Not Provided) 
Metal	Sheet Metal Screws (Not Provided) 

## Check Hardware

Check your package for contents needed for proper installation.



## Hardware Quantity Standard

Blind Width (X)	X ≤ 37"	37" < X ≤ 47"	47" < X < 60"	60" ≤ X ≤ 75"	75" < X ≤ 96"	96" < X ≤ 120"	120" < X ≤ 144"
Installation Bracket	2	2	2	2	2	2	2
Center Supporting Bracket	0	1	2	2	3	3	4
Valance Clip	2	3	3	4	4	4	5
Valance Return Joinery*	4	4	4	4	4	4	4
Valance Splicer Set	0	0	0	0	0	2	2
1 1/4" Screw	4	6	8	8	10	10	12

Optional hardware parts, such as spacers and hold down brackets, are available upon request.

\* Valance Return Joinery is provided only when returns are required.

## Step1. Install Brackets

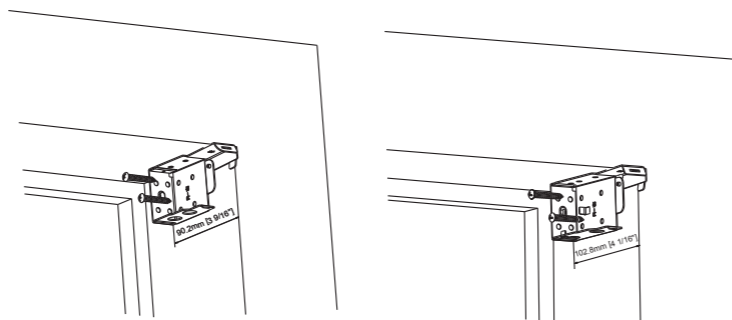
For easy installation and proper blind operation, use a level to ensure all brackets are in alignment. If your blind comes with center support(s), make sure they are offset from the ladder cords.

### Inside Mount

- Attach the installation bracket parallel to the window casement on both sides.

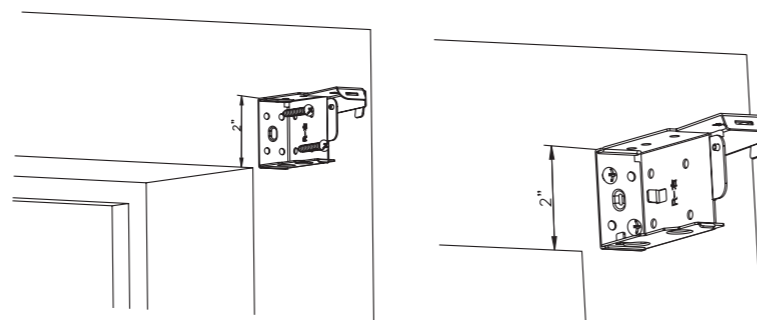
1a. For fully inside mount (valance flush with window opening) of a 2" blind, the distance between the backside of the bracket and the wall need to be at least 3 9/16" (90.2mm).

1b. For fully inside mount of a 2 1/2" blind, the distance between backside of the bracket and the wall needs to be at least 4 1/16" (102.8mm)

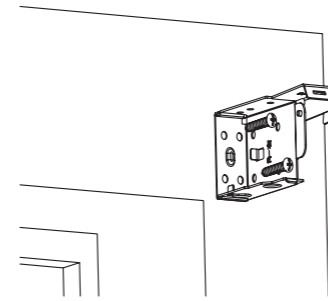
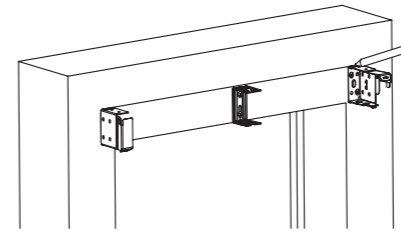


### Outside Mount

- It is suggested to place the installation bracket 2" (51mm) above the window opening for proper bracket installation.

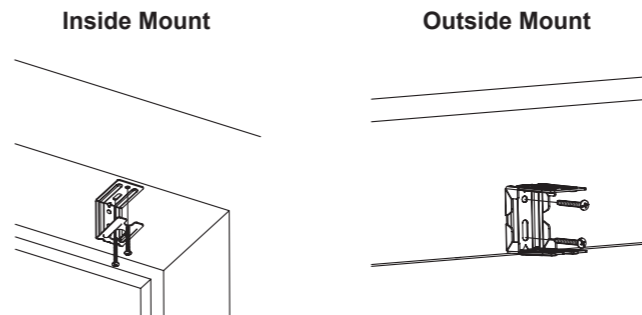


- Place the installation brackets at the desired position. Make sure the overlap to the window opening on both sides are even. To attach, drill 2 screws through the back of each installation bracket. **Recommended:** Use a level to double check the brackets are at the same level.



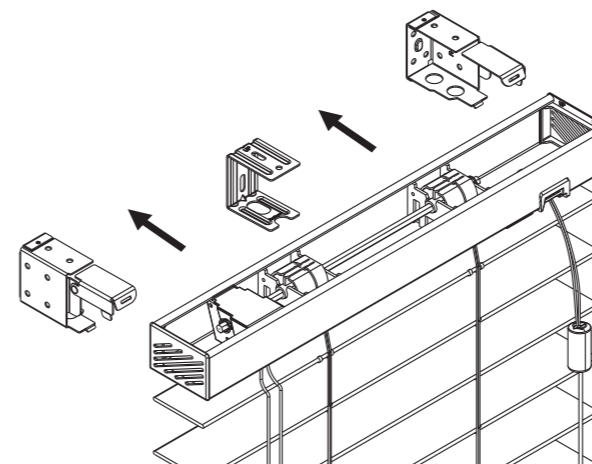
## Install the center support bracket (if supplied)

- Evenly space the support bracket(s) between the two installation brackets and place the support bracket slightly off from the ladder cords. Make sure the top of the support bracket(s) align with the top of the installation brackets.

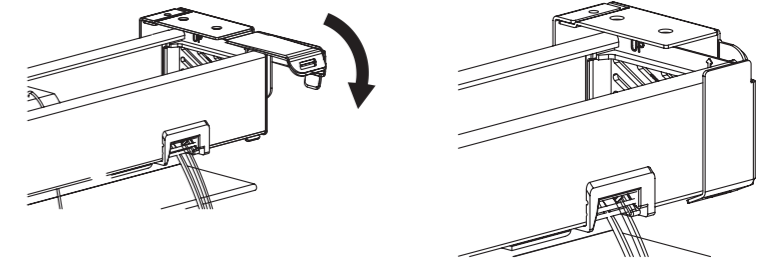


## Step 2. Install the Headrail

- Open the hinged door of the installation brackets and insert the headrail into the end brackets (and support brackets if supplied).

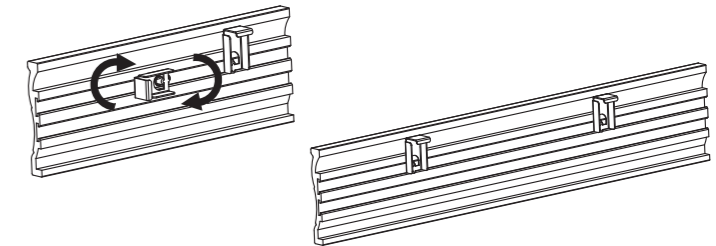


- Close the hinged door of the installation brackets.

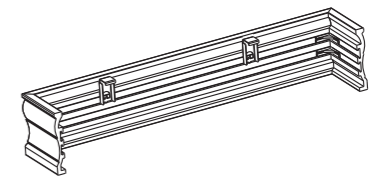
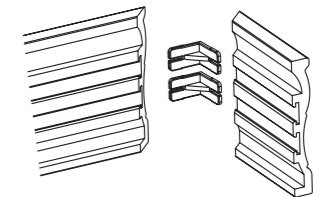


## Step3. Attach the Valance

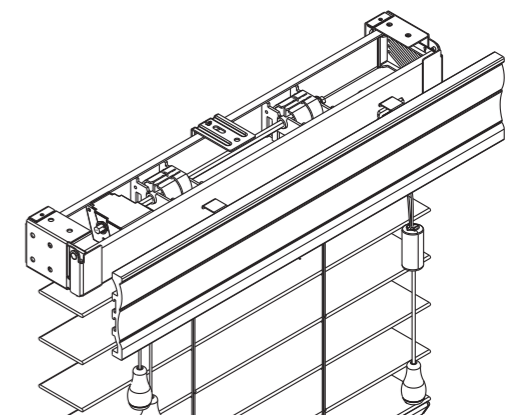
- Attach the steel valance clip into the top channel on the backside of the valance.



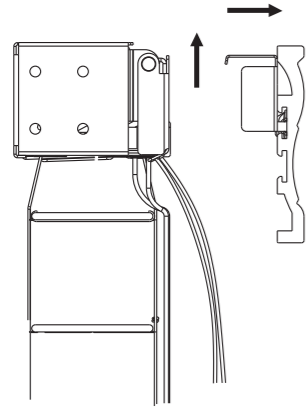
- Attach the valance return joinery



- Hook the steel valance clips onto the headrail. Make sure clips are not in an obstructive position with the drum support inside the headrail.



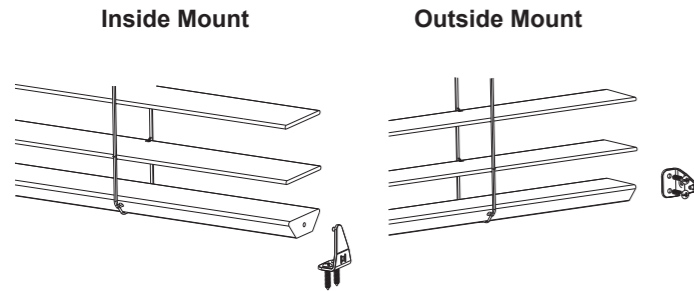
When removing the valance from headrail, hold the valance as shown in the picture and lift it up.



## Step 4. Additional Attachments

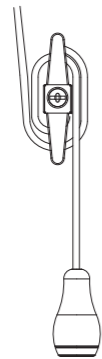
### Hold down brackets

- Attach the hold-down brackets against a flat surface, horizontally or vertically, parallel to the bottom rail. Make sure the protruding area is aligned with the hole on the side of the bottom rail. Secure the hold-down bracket into the bottom rail on both sides to keep blinds in desired location.



### Cord Cleat

- Install the cord cleat on the wall next to the pull cords, out of children's reach. Use screw to secure the cord cleat. Wrap the pull cords around the cord cleat for child safety.



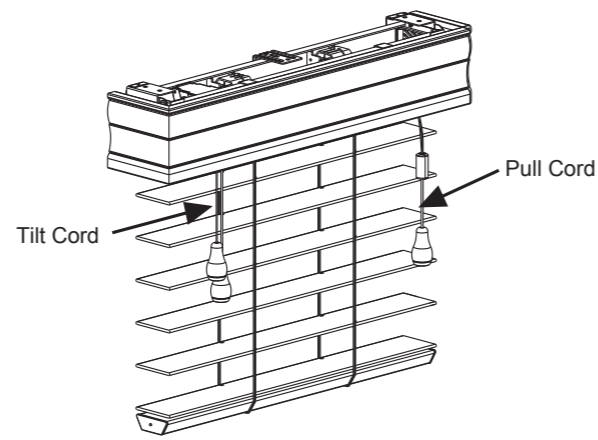
## Step 5. Operate Your Blind

### Tilt Cord

- Each cord with individual tassel, when pulled, will tilt the slats in alternate directions.

### Pull Cord

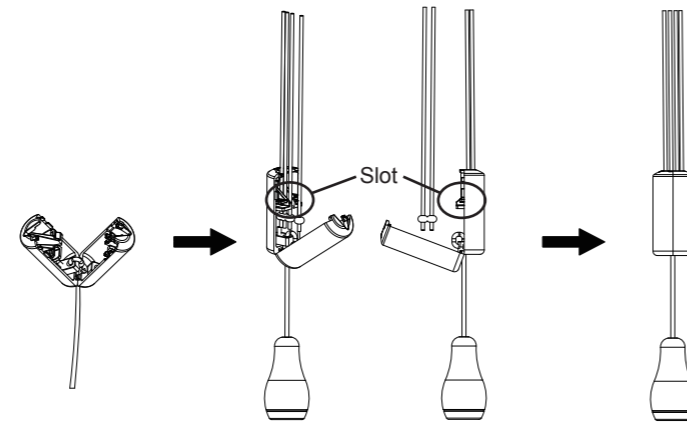
- Pull the cord to raise and lower the blind. The slats need to be open when lowering the blind. **When raising the blind, we recommend that you gently tilt the slats toward you before raising the blind.** The proper way to raise the blind is to support bottom rail with your hand while pulling on the cords. Pull the cord toward the outside of the blind to lock the position. Pull toward the center to release the blind from the locked position. **There are 2 easy ways for you to line up the SmartPrivacy™ slats.**  
**1. Fully raise the blind and tap on both ends until slats are lined up.**  
**OR**  
**2. Raise and lower the blind several times and the blind will self-align.**



### How to Reassemble Cord Release Device

Our blind comes equipped with a cord release device that prevents child strangulation. Should the cord release device come apart, please refer to below steps:

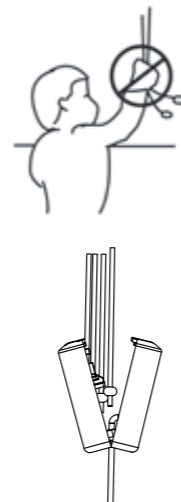
1. Open cord release device entirely.
2. Align all pull cords and slide them into the slot of cord release device.
3. Snap cord release device together to close.



## CHILD SAFETY

### Cord Release Device

This device breaks apart when minimal pressure is exerted onto the cords. It also acts as a stopper to prevent the inner cords from being pulled into a loop, which can cause harm to young children. To assemble, slide the knot of each pull cord into the slot of the cord release device, then snap the opposing side into place.



### ! WARNING

Young children can be entangled and strangled in cords. Keep all cords out of children's reach. Cord cleat is provided and should be used.

## Cleaning Instructions

Perform periodic simple cleaning of your blind will keep your blind looking its best for the years to come. There are two ways to clean. You can dust it with a duster or dusting mitten, or simply use a soft cloth slightly moisten with lukewarm water to wipe down the slats. You can clean it with the blind hanging on the window, or you can take it down completely. By tilting the slats down but not fully closed, you will be able to clean most of the top surface of each slat. **Do not use detergent or abrasive cleaning solutions to clean the blind since it will likely cause damage to the blind.**