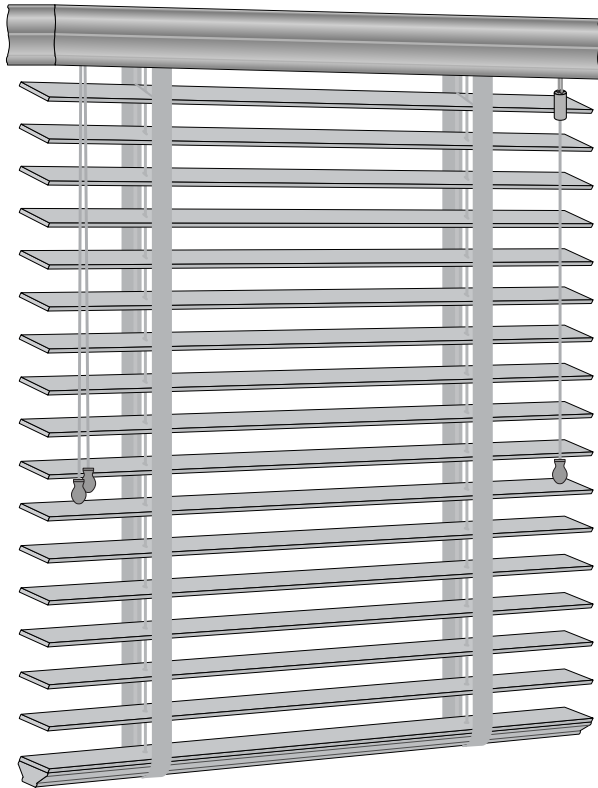


Installation and Care Instructions



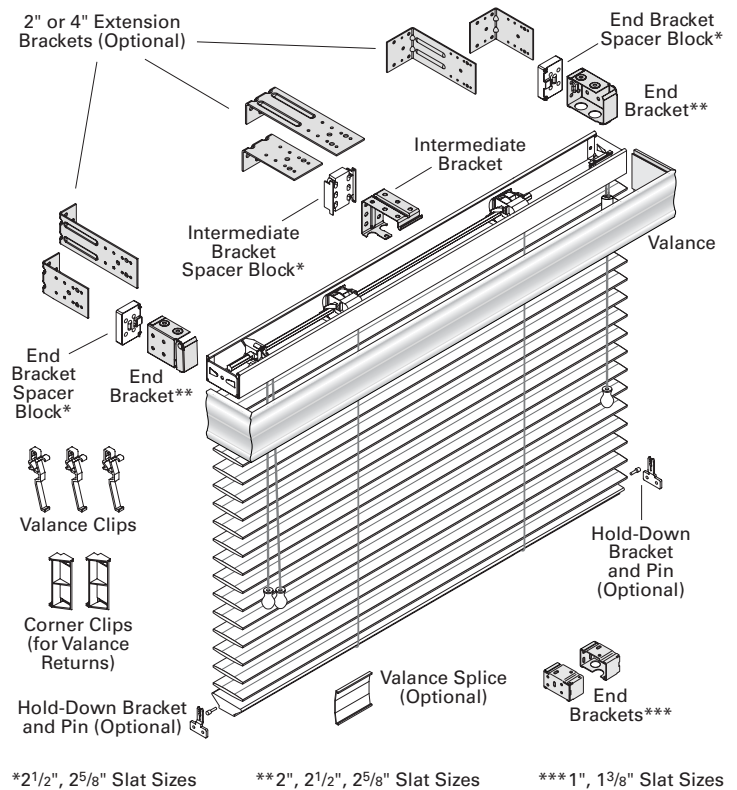
1", 1 3/8", 2", 2 1/2", 2 5/8"
Wood Blinds

HunterDouglas

THANK YOU for purchasing a Hunter Douglas product. Your new blind has been custom built for you from the highest quality materials. Once in your window, it will provide you with a lifetime of beauty and trouble-free use.

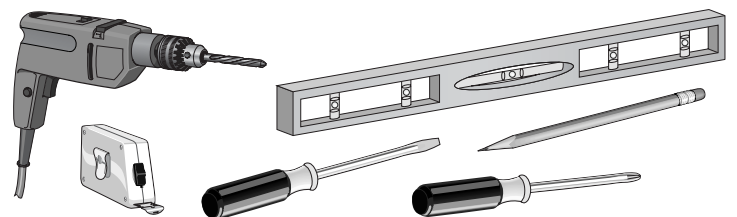
Getting Started

- Remove blind from package. Keep the packaging until the blind operates to your satisfaction.
- Check the diagram to make sure you have the necessary parts.
- Contents of your hardware package may vary depending upon mounting options chosen, whether intermediate brackets are needed and whether spacer blocks are required.

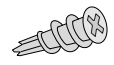




Tools needed for installing your shade.

- Measuring tape
- Carpenter's level
- Pencil
- Power drill, drill bits and 1/4" hex bit socket (or socket wrench with 1/4" hex socket)
- Flat blade screwdriver
- Phillips screwdriver



In addition, you will need fasteners designed to work with your specific mounting surfaces:

Mounting Surface	Fastener
Drywall, Plaster	Wall Anchors, Expansion Bolts (Not Provided) 
Metal	Sheet Metal Screws (Not Provided) 
Wood	No. 6 Hex Head Screws (Provided) 

For assistance, call the Hunter Douglas
Customer Information Center
at 1-888-501-8364
7:00 AM to 4:30 PM MST, Mon.-Fri.
Visit our Web site at hunterdouglas.com

1 Mount the Brackets

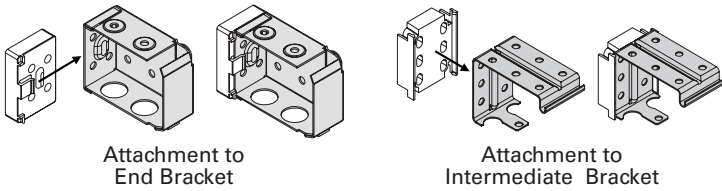
Mounting Options

The installation brackets may be *inside mounted*, *outside mounted* or *ceiling mounted*. In all cases, level mounting is essential.

- With inside mounts and ceiling mounts, use a carpenter's level to check that the mounting surface is level. Shim the brackets, if necessary.
- With outside mounts, the tops of the brackets must be level and aligned at the same height.

Spacer Blocks (2¹/₂" and 2⁵/₈" Slat Sizes)

- Attach a spacer block to each of the two end brackets.
- If one or more intermediate brackets is required (see chart below), attach a spacer block to each intermediate bracket.
- If extension brackets will be used, do *not* attach spacer blocks.



Intermediate Brackets Required

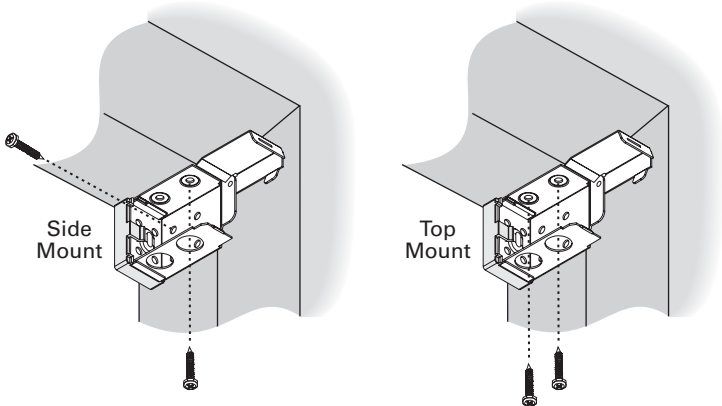
Blind Width	Intermediate Brackets
12" - 48"	0
48 1/8" - 60"	1
60 1/8" - 96"	2

Inside Mount Applications

Attach the two end brackets flush against the sides of the window casement.

- Side mount the brackets with one screw through a side hole and one screw through a top hole, as shown below.
- Top mount the brackets with screws through the two top holes.
- If limited mounting depth is available, the bracket may be mounted with two screws through diagonal side holes.

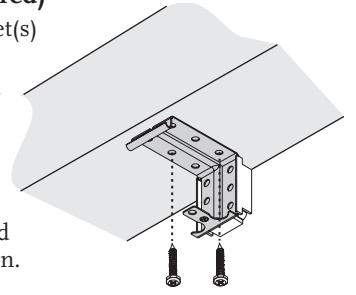
Note: For blinds with 2¹/₂" or 2⁵/₈" slats, spacer blocks are used with inside mounts to position the brackets a minimum of 3/8" from the glass. This prevents slats from rubbing the glass when tilting the blind.



Intermediate Brackets (If Required)

Evenly space the intermediate bracket(s) between the two end brackets.

- Adjust spacing if needed to avoid interference with internal headrail mechanisms.
- Attach with two screws through diagonal holes.
- The backs of the end brackets and intermediate bracket(s) must align.



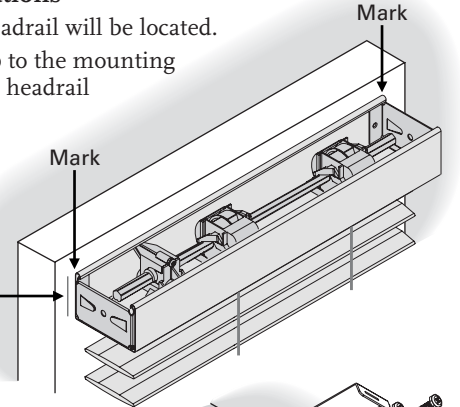
Outside Mount Applications

A flat vertical surface at least 1³/₄" high is required for bracket attachment.

Mark End Bracket Locations

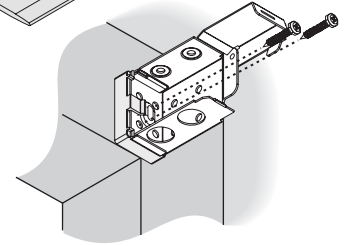
- Mark where ends of headrail will be located.
- Either hold headrail up to the mounting surface or measure the headrail and mark its length.
- Then mark 1/4" to the outside of the headrail end marks.

Measure and Mark
1/4" Out from
Ends of Headrail



Attach End Brackets

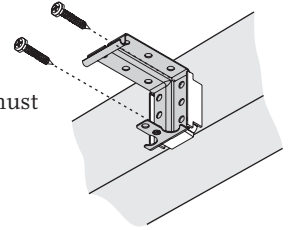
- Align the outside edge of each bracket with the outer marks.
- The tops of brackets must be aligned at the same height.
- Attach the brackets with two screws through diagonal holes.



Intermediate Brackets (If Required)

Evenly space the intermediate bracket(s) between the end brackets.

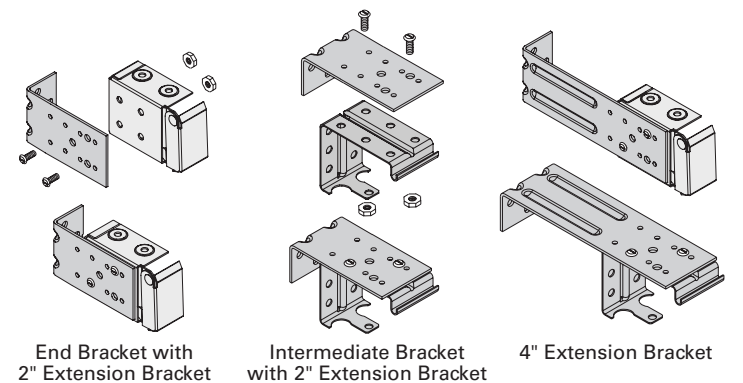
- Adjust spacing if needed to avoid interference with internal headrail mechanisms.
- The top of each intermediate bracket must align with the tops of the end brackets.
- Attach the bracket(s) with two screws through diagonal holes.



Extension Brackets (Optional)

Attach 2" or 4" extension brackets to the mounting surface in the same locations where the end brackets and intermediate brackets would be attached.

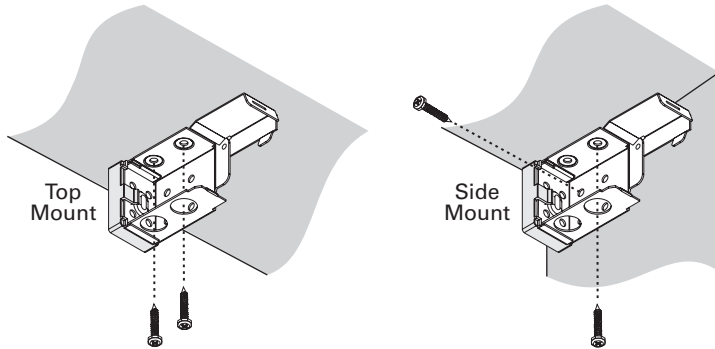
- Align and level extension brackets with a carpenter's level.
- Use two screws to mount each extension bracket.
- Attach the installation brackets to the extension brackets using the screws and nuts provided, as shown below.



Ceiling Mount Applications

As with outside mounts, mark where to attach the two end brackets, $\frac{1}{4}$ " to the outside of the ends of the headrail. Attach the bracket in one of three ways, making sure their front edges are aligned.

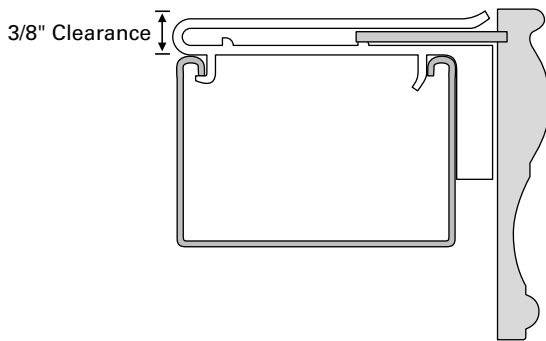
- Attach with two screws through the bracket top holes. Or:
- If the brackets are flush with side walls, attach them like inside mounts, with one screw through a top hole and one through a side hole. Or:
- If the brackets are flush with the back wall, attach them with one screw through a top hole and one through a rear hole.
- Space intermediate bracket(s) evenly between the end brackets.



Bracket Shims

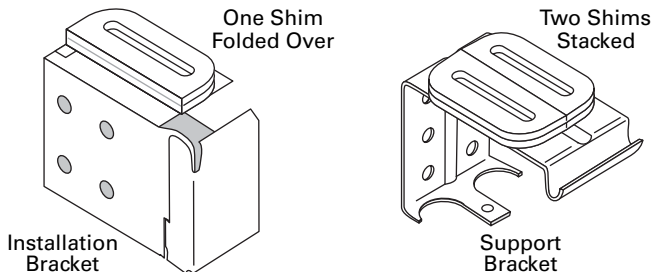
Shims are required for installation brackets and support brackets only when a valance with optional dust cover is used *and* the blind is inside mounted, but the headrail is not fully recessed. (If the headrail is fully recessed, the optional dust cover would not be ordered.)

An additional $\frac{3}{8}$ " of clearance is needed to accommodate the height of the cornice clips, as shown below.



To gain this clearance, use the bracket shims included with your order (one for each installation bracket and two for each support bracket).

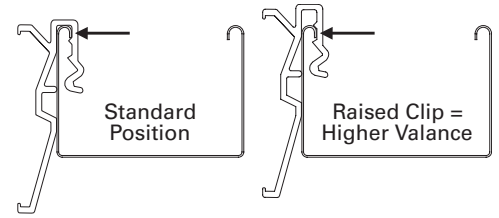
- With each installation bracket, first fold the shim and then position it on top of the bracket to gain the required clearance.
- With each support bracket, stack two unfolded shims.



2 Install the Blind

Valance Clips

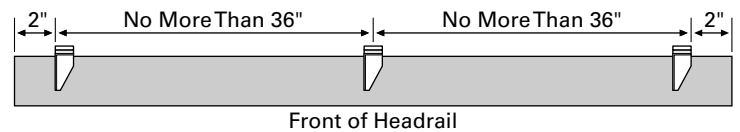
- Attach valance clips 2" from each end of the headrail.
- Space additional clip(s) evenly between the two end clips so that the valance clips are no more than 36" apart.
- If desired, the valance may be positioned $\frac{1}{4}$ " higher by pushing the clips only one notch down, as shown in the far right illustration.



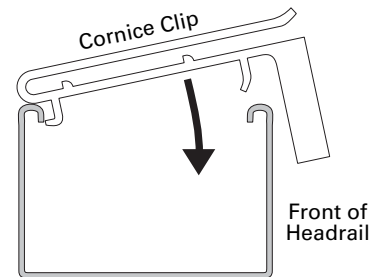
Cornice Clips

Cornice clips are used instead of valance clips when the valance has a dust cover.

- Attach a cornice clip 2" from each end of the headrail.
- Space additional clip(s) evenly between the two end clips so that the cornice clips are no more than 36" apart.

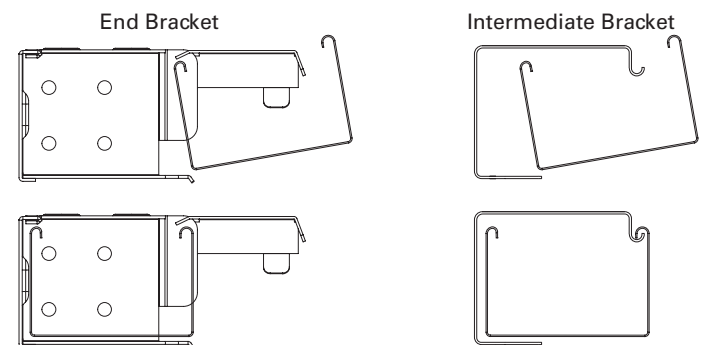


- To attach the cornice clips, hook the back of the clip to the rear lip of the headrail.
- Push the clip down until it snaps securely in place.



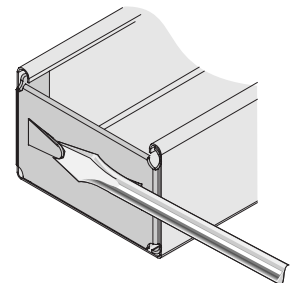
Mount the Headrail

- Tilt headrail so that its back lip slides under the front lip of the end brackets and intermediate bracket(s).
- Push headrail against the back of the end brackets.
- Check that the front lip of the intermediate bracket(s) is under the front lip of the headrail.



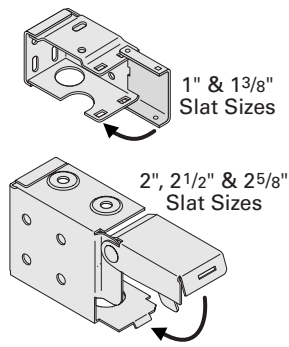
Adjust Headrail Tightness

- If the headrail is loose in the end brackets, bend the tabs on the end plates outward.
- *Note:* The tabs may also be bent inward if the headrail was difficult to install into the end brackets.



Close End Brackets

- 1" and 1³/₈" slat size: Close the cover to the side until it snaps securely in position.
- 2", 2¹/₂" and 2⁵/₈" slat sizes: Push the cover down until it snaps over the locking tab on the bottom of the bracket.

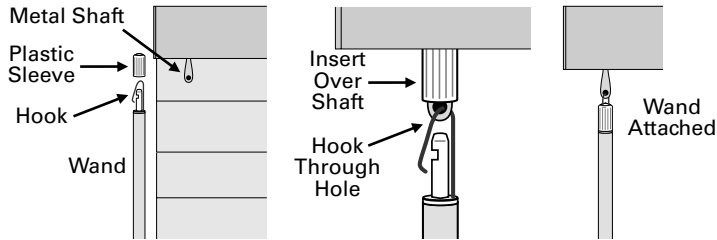


3 Complete the Installation

Attach the Wand (If Ordered)

If the blind was ordered with a wand tilter (1" and 2" blinds only) attach the wand to the metal shaft.

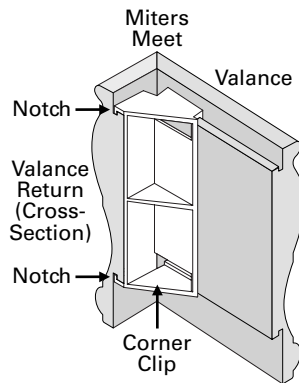
- Pull the plastic sleeve from the top of the wand and insert it over the metal shaft.
- Insert the hook on the wand through the hole in the metal shaft.
- Slide the plastic sleeve down over the hook until firmly seated.
- Test the wand tilter. Approximately six revolutions of the wand should tilt the slats from fully closed up to fully closed down.



Attach the Valance Returns, If Necessary

If the valance came with returns and they are not already attached, connect the returns to the valance using the corner clips provided. The notches on the rear of the valance and returns fit into the grooves of the corner clips.

- Slide the **wider** side of each clip onto the rear of the valance so that the shorter side aligns with the edge of the miter cut at each end.
- Slide a return onto each corner clip until its miter is flush against the miter on the valance.

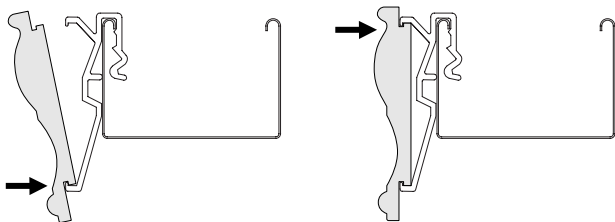


Adjoin Valances Over 96" Wide

For valances wider than 96", adjoin the two valance pieces together by sliding the valance splice clip on the back of the valance where the two halves meet.

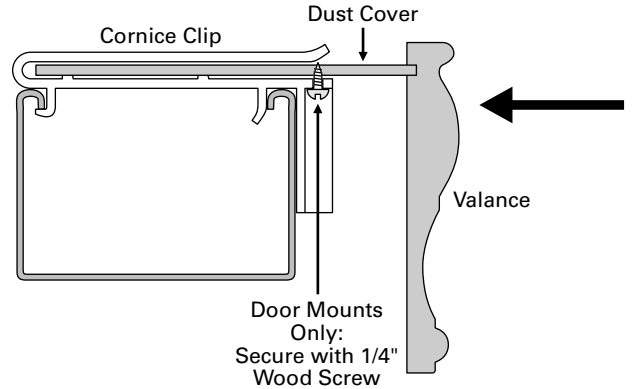
Attach the Valance (No Dust Cover)

- Tilt the valance to insert its bottom notch into the bottom part of the valance clip.
- Pulling the valance slightly downward, insert the top notch of the valance into the clip, as shown below.



Attach the Valance (with Dust Cover)

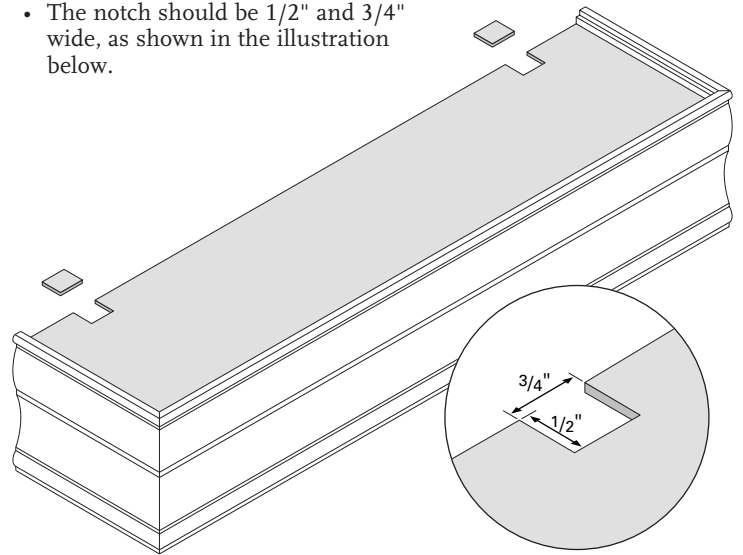
- Slide the dust cover onto the cornice clips, as shown below.
- If the blind is mounted to a door, secure the dust cover with a 1/4" wood screw through the slot in the cornice clip.



Notch the Dust Cover (2⁵/₈" Outside Mounts Only)

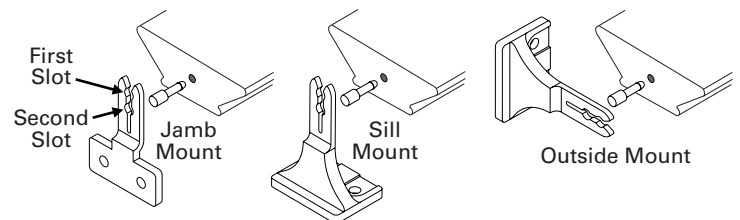
When spacer blocks are used to provide clearance for 2⁵/₈" slats, the valance dust cover must be notched to allow the valance returns to be flush against the wall.

- Mark the location of the cornice clips on the dust cover.
- Use a utility knife to notch the rear of the dust cover where the dust cover will fit onto the cornice clips.
- The notch should be 1/2" and 3/4" wide, as shown in the illustration below.



Attach Hold-Down Brackets (Optional)

- Drill a 3/16" hole centered in the ends of the bottom rail.
- Insert a hold-down pin into each hole. Push the head of the pin against a flat surface to seat it, or tap in place with a hammer.
- To mount the hold-down brackets, first fully lower the blind. Align the first or second slot on the brackets with the pins in the bottom rail.
 - Align the first slot with 2¹/₂" and 2⁵/₈" slat sizes.
 - Align the second slot with all other slat sizes.
- Maintain the correct slot alignment as you attach the hold-down brackets to the jamb, sill or outside mounting surface.
- Slide the hold-down pins into the appropriate slot on the brackets.



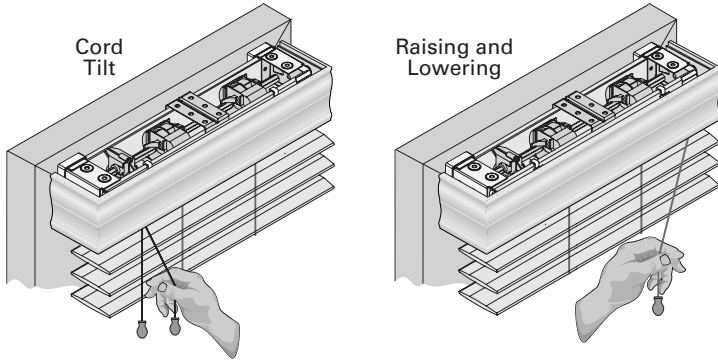
4 Operate the Blind

Tilting the Slats

- **Wand tilt:** Rotate the wand to tilt the slats to the desired angle.
- **Cord tilt:** The two cords with individual tassels are for tilting the slats. Each cord tilts the slats in an alternate direction.

Raising and Lowering the Blind

- Pull the single cord down and toward the center to raise and lower. The slats should be open when raising and lowering.
- Hold the cord to the outside to lock the blind in position.



5 Child Safety



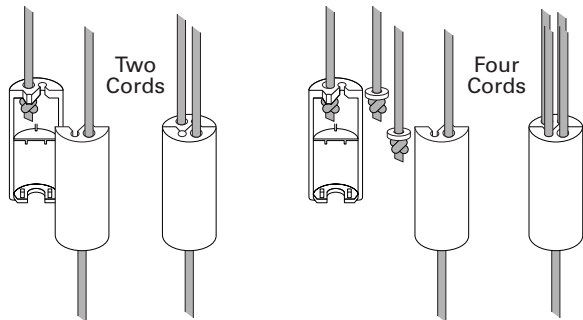
⚠ WARNING: Young children can become entangled and strangle in cords. Keep all cords out of the reach of children. Hunter Douglas provides cord cleats and we recommend their use.

Cord Stop

- This component breaks apart with minimal pressure should a child or pet become entangled in the top lift cords.
- It also acts as a stopper to prevent inner cords from being pulled through the blind, which can also create potential entanglement.

Reassembly of Cord Stop

- Reinsert any loose cords into the top notches of the cord stop. There is a notch on each side.
- Line up the two halves of the cord stop and snap the pieces back together.



A NOTE ABOUT WOOD PRODUCTS

Our wood blinds are true wood products, made from 100% wood. There will be variations in color, grain, texture, and warpage that are characteristics of all wood. These variations will be especially visible in blinds with light color stains. The variations are normal and natural, and are considered acceptable quality.

6 Care and Cleaning

Like any wood furnishings, Hunter Douglas wood blinds should be cleaned on a routine basis to keep them looking new.

- Dust regularly. Use a soft clean cloth, chemically-treated dust cloth or dusting mitt. Lower the blind to its full length, tilt the slats almost all the way down and dust. Then tilt the slats almost all the way up and dust. (Not closing the slats all the way allows dusting where the slats overlap.)
- Blinds may also be vacuumed. Use the brush attachment and tilt the slats up and down as described for dusting.
- Another way to clean blinds is simply by wiping them with a soft, damp cloth.
- Stained blinds, like wood furniture, should be treated periodically with lemon oil or other wood preservative to protect their finish and enhance their luster.
- Scratches on leather valances may be mended using a color-matched paste shoe polish.

Important: Hunter Douglas does *not* recommend ultrasonic cleaning of wood blinds.

7 Troubleshooting

PROBLEM	SOLUTION
The blind does not raise and lower evenly.	Check inside the headrail. Make sure no obstructions keep the mechanism from turning. Check that lift cords are not pinched or tangled.
The blind will not fit into the mounting brackets.	Make sure the mounting brackets are level and the mounting surface is flat.
Lift cords are bunching by the safety cord stop.	Make sure the slats are in the open position. Raise and lower the blind.
Decorative tapes are wrinkled after installation.	Use a steamer to steam out the wrinkles. Do <i>not</i> stretch the tapes.



HunterDouglas

hunterdouglas.com

© 2005 Hunter Douglas Inc.
Patented in the U.S. and foreign countries. Other U.S. and foreign patents pending.



Product Code No. 8800012006